

INTELLECTUAL PROPERTY STATEMENT
 This drawing contains information that is the property of Diversified Technical Systems, Inc. (DTS). All copyright, patent, and ownership rights are retained. This information shall not be disclosed, reproduced in whole or in part, or used for manufacture without prior written consent from DTS.

RoHS
 Manufacture/fabricate to meet the EU RoHS Directive 2011/65/EU and RoHS Annex II phthalates

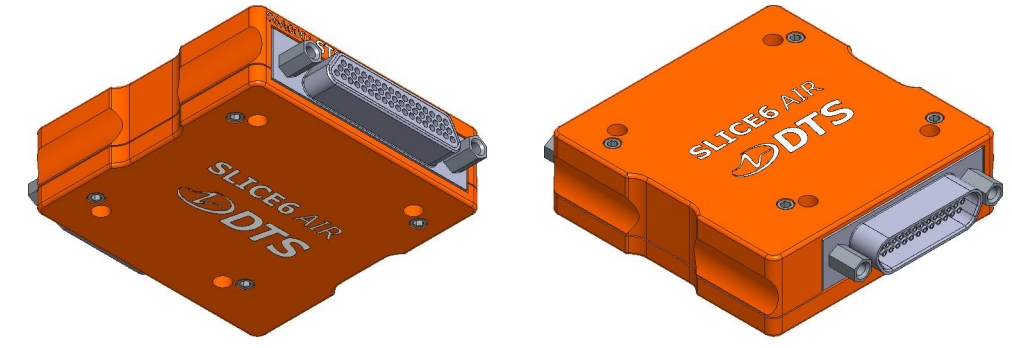
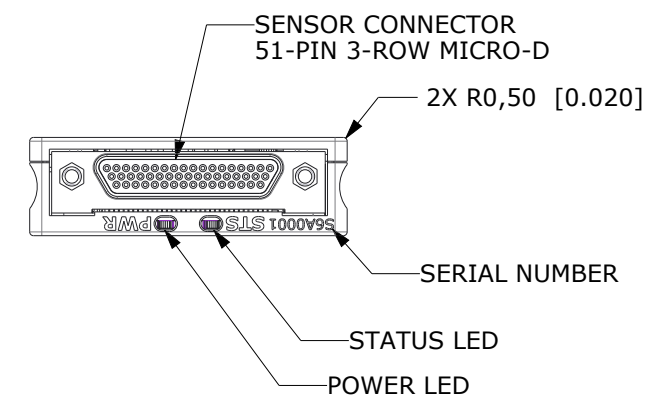
REV	ZONE	DESCRIPTION	DATE	BY

SENSOR CONNECTOR PIN ASSIGNMENTS

PIN	SIGNAL
1	-SIG_CH1
2	+SIG_CH1
3	GND/SHIELD
4	-SIG_CH2
5	+SIG_CH2
6	GND/SHIELD
7	-SIG_CH3
8	+SIG_CH3
9	-ID/-IEPE_CH3
10	-ID/-IEPE_CH4
11	+SIG_CH4
12	-SIG_CH4
13	GND/SHIELD
14	+SIG_CH5
15	-SIG_CH5
16	GND/SHIELD
17	+SIG_CH6
18	-SIG_CH6
19	-EX_CH1
20	+IEPE_CH1
21	GND/SHIELD
22	-EX_CH2
23	+IEPE_CH2
24	GND/SHIELD
25	-EX_CH3
26	+IEPE_CH3
27	GND/SHIELD
28	+IEPE_CH4
29	-EX_CH4
30	GND/SHIELD
31	+IEPE_CH5
32	-EX_CH5
33	GND/SHIELD
34	+IEPE_CH6
35	-EX_CH6
36	+EX_CH1
37	+ID_CH1
38	-ID/-IEPE_CH1
39	+EX_CH2
40	+ID_CH2
41	-ID/-IEPE_CH2
42	+EX_CH3
43	+ID_CH3
44	+ID_CH4
45	+EX_CH4
46	-ID/-IEPE_CH5
47	+ID_CH5
48	+EX_CH5
49	-ID/-IEPE_CH6
50	+ID_CH6
51	+EX_CH6

SYSTEM CONNECTOR PIN ASSIGNMENTS

PIN	SIGNAL
1	+PWR
2	+PWR
3	+PWR
4	GND
5	GND
6	TX_2_P
7	TX_2_N
8	RX_2_P
9	RX_2_N
10	TX_1_P
11	TX_1_N
12	RX_1_P
13	RX_1_N
14	#ON
15	#START
16	#EVENT
17	STATUS
18	UART_RX_P
19	UART_RX_N
20	UART_TX_P
21	UART_TX_N
22	GND
23	GND
24	IRIGB
25	PPS

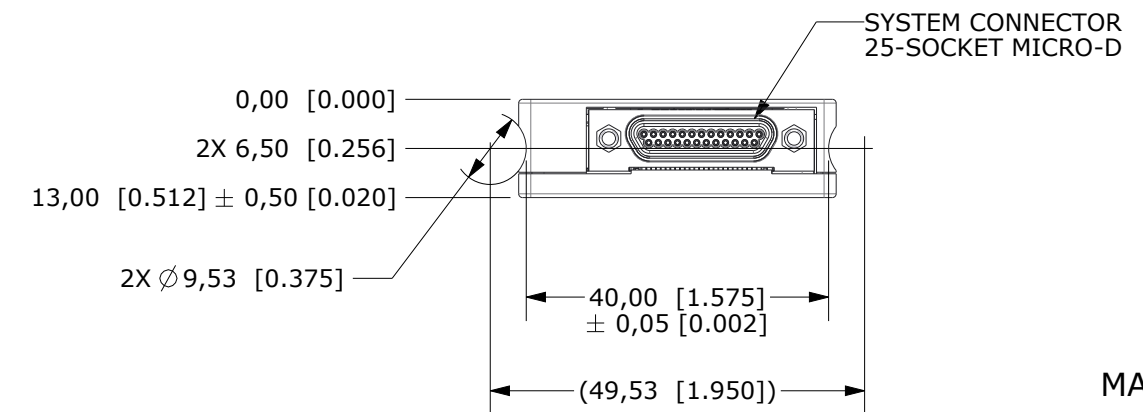
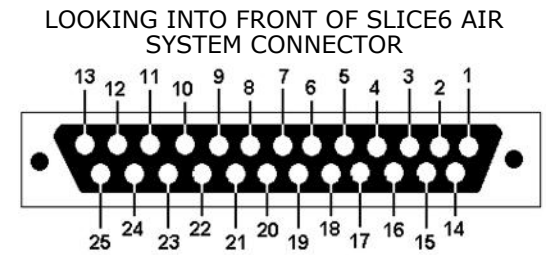
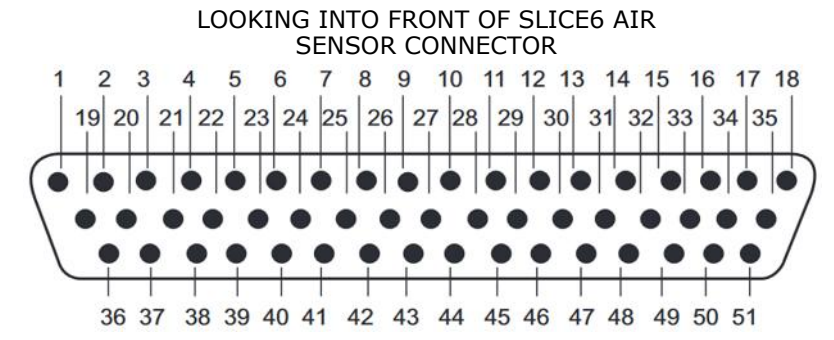
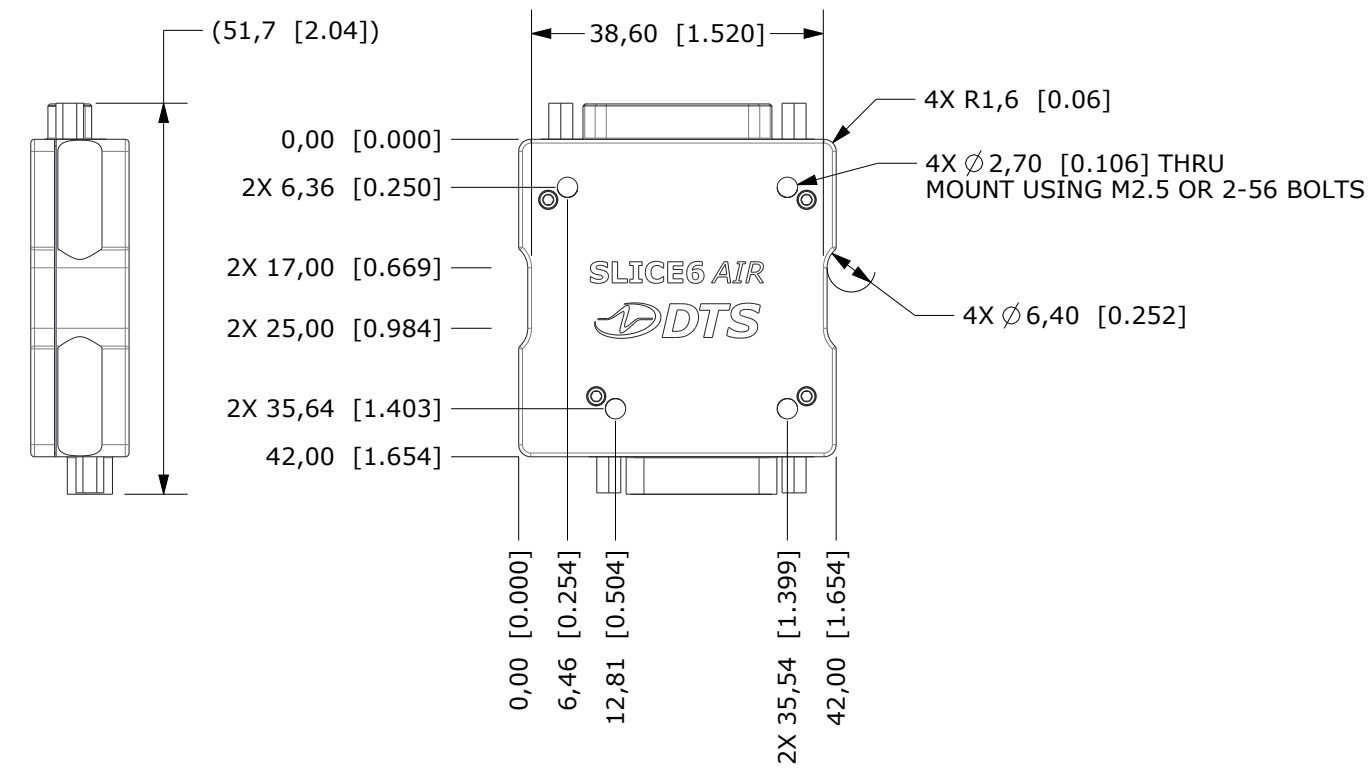


--- CONNECTOR MATE RECOMMENDATIONS ---

51-Socket Sensor Connector:
 Omnetics MMDS-513-N-02-SS (Solder Cup)
 Omnetics MMDS-513-N-02-WD** (Discrete Wire)

25-Pin System Connector:
 Omnetics MMDP-025-N-02-SS (Solder Cup)
 Omnetics MMDP-025-N-02-WD** (Discrete Wire)

** See ordering options on manufacturer website for wire gage, type, color, and length options



MASS = 50 ± 5 GRAMS

SEAL BEACH, CA 90740 562-493-0158 www.dtsweb.com	DESCRIPTION: SLICE6 AIR, MOUNTING DRAWING	
	DTS P/N:	REV: 0
MATERIAL: 6061-T6 ALUMINUM W/ INTERNATIONAL ORANGE ANODIZE	DRAWN: G NEWTON	
UNLESS OTHERWISE SPECIFIED:	DATE: 2019-02-01	SIZE: B
DIMENSIONAL TOLERANCES ±.254 [0.010"]	SCALE: 1:1	SHEET: 1 OF 1
INTERPRET PER ASME Y14.5. DO NOT SCALE.		