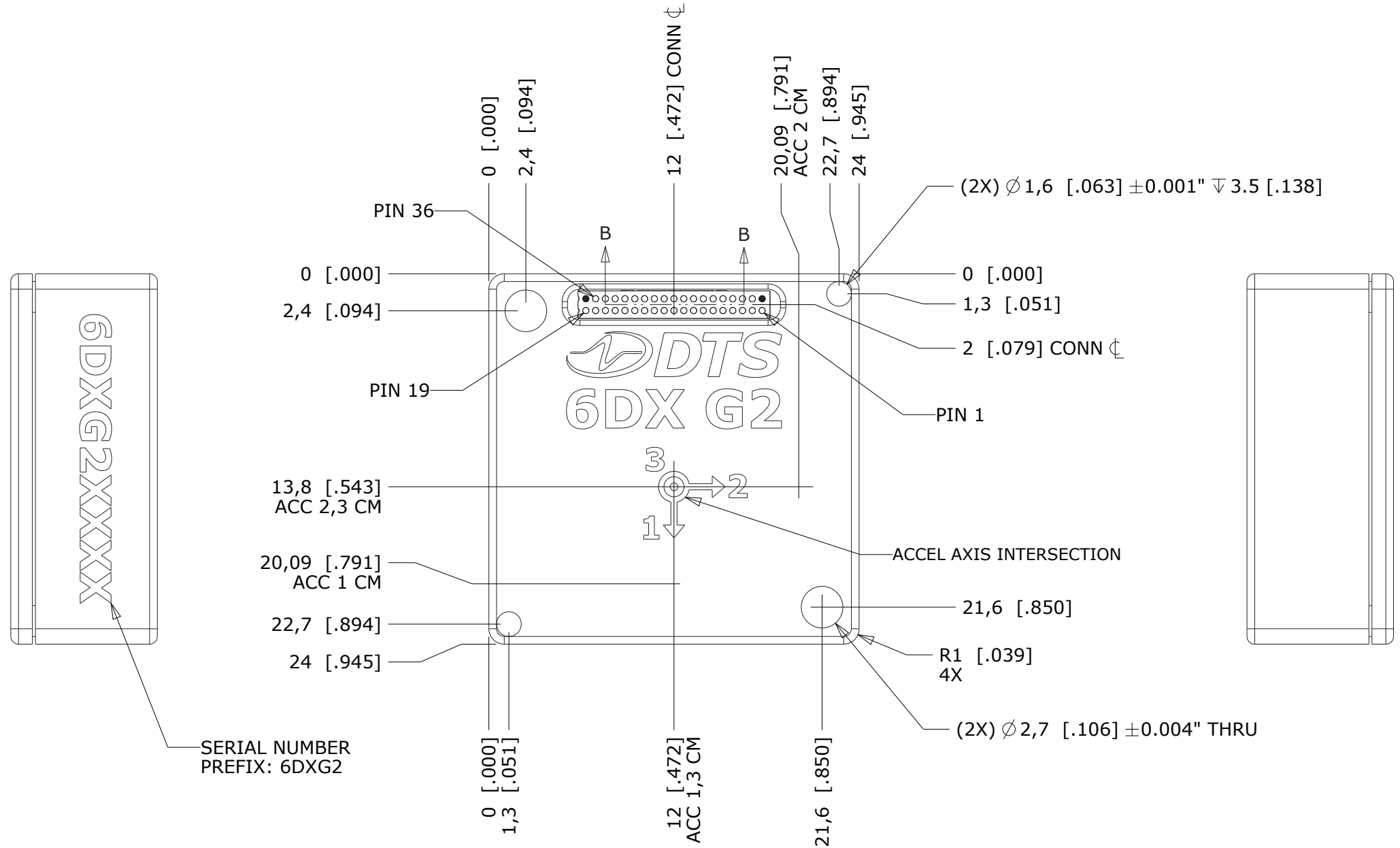
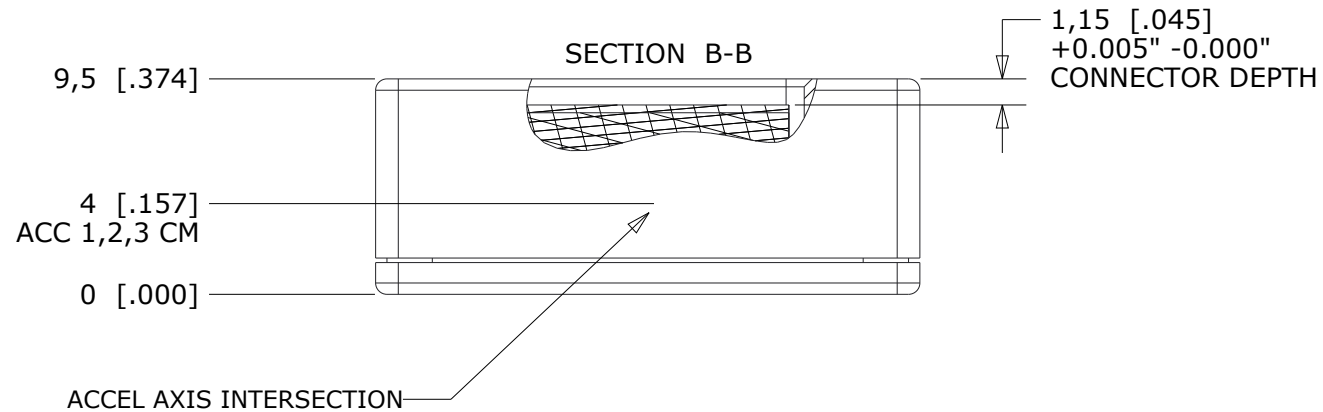


**INTELLECTUAL PROPERTY STATEMENT**  
 This drawing contains information that is the property of Diversified Technical Systems, Inc. (DTS). All copyright, patent, and ownership rights are retained. This information shall not be disclosed, reproduced in whole or in part, or used for manufacture without prior written consent from DTS.

REV	ZONE	DESCRIPTION	DATE	BY
5		P/N, DRAWING FORMAT	2017-08-27	GN
6	7-A	CORRECTED ACCEL AXIS DIMENSION	2018-01-17	GN

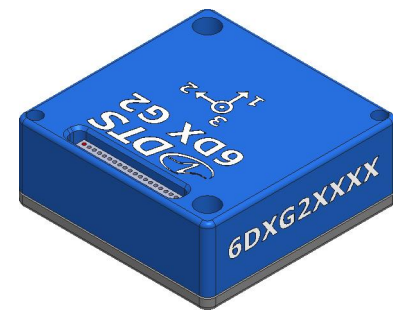
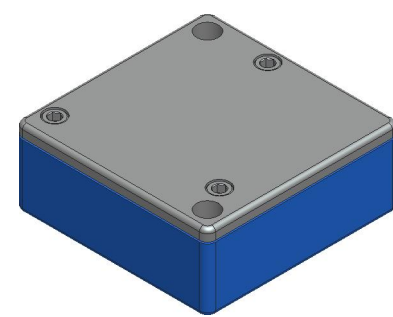


SERIAL NUMBER PREFIX: 6DXG2



**PIN ASSIGNMENTS**

Pin	Signal
1	-
2	+EXCIT-ARS-1
3	+SIG-ARS-1
4	-SIG-ARS-1
5	-EXCIT-ARS-1
6	+EXCIT-ACCEL-1
7	+SIG-ACCEL-1
8	-SIG-ACCEL-1
9	-EXCIT-ACCEL-1
10	+ID-ARS-1
11	-ID-ARS-1,2,3
12	+ID-ACCEL-1
13	-ID-ACCEL-1,2,3
14	+EXCIT-ARS-2
15	+SIG-ARS-2
16	-SIG-ARS-2
17	-EXCIT-ARS-2
18	+EXCIT-ACCEL-2
19	-
20	+SIG-ACCEL-2
21	-SIG-ACCEL-2
22	-EXCIT-ACCEL-2
23	+ID-ARS-2
24	+ID-ACCEL-2
25	+EXCIT-ARS-3
26	+SIG-ARS-3
27	-SIG-ARS-3
28	-EXCIT-ARS-3
29	+EXCIT-ACCEL-3
30	+SIG-ACCEL-3
31	-SIG-ACCEL-3
32	-EXCIT-ACCEL-3
33	+ID-ARS-3
34	+ID-ACCEL-3
35	TEMP-VDC
36	Earth (GND)



- NOTES:**
1. ACC CM = INDIVIDUAL ACCELEROMETER AXIS CENTER OF MASS
  2. 6DXG2 MASS CG IS CENTER OF VOLUME
  3. MOUNT USING (2X) M2.5 SCREWS
  4. TORQUE TO 1.2 N-M CLEAN AND DRY
  5. CONNECTOR: OMNETICS P/N A79046-001
  6. MASS: 14 GRAMS ± 3 GRAMS

SEAL BEACH, CA 90740 562-493-0158 www.dtsweb.com	DESCRIPTION: <b>6DXG2,                  MOUNTING DRAWING</b>	
	MATERIAL: <b>6061-T6 ALUMINUM HOUSING                  W/ BLUE ANODIZE</b>	DTS P/N: _____
UNLESS OTHERWISE SPECIFIED: UNITS = MM [INCH] DIMENSIONAL TOLERANCES ±.254 [0.010"] INTERPRET PER ASME Y14.5. DO NOT SCALE.	DRAWN: <b>G NEWTON</b>	DATE: 2015-12-04
	SIZE: <b>B</b>	SCALE: <b>2:1</b>
		SHEET: <b>1 OF 1</b>