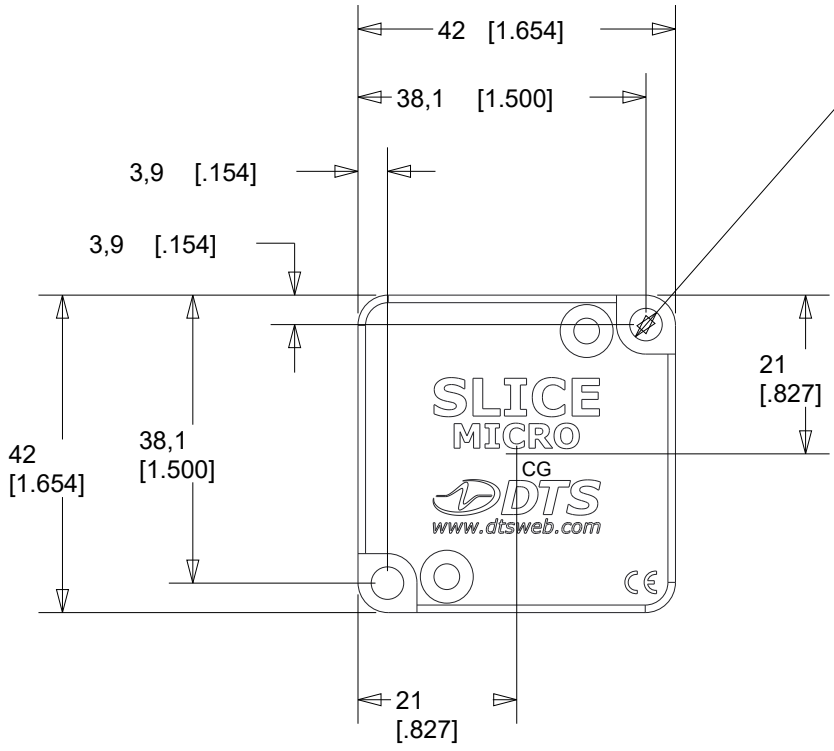
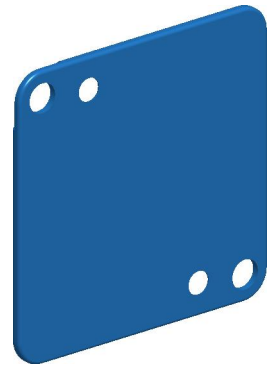
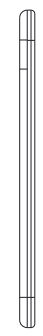


REVISIONS			
REV	DESCRIPTION	DATE	APPR
1	NO DIM CHANGE, UPDATED ARTWORK	8/24/16	GN



2X  $\varnothing$  4,3 [.169]  
 $\square$   $\varnothing$  7,7 [.303]  $\nabla$  1 [.039]

MOUNTING THRU HOLES FOR:  
 6-32 (LOOSE FIT) M4 (FREE FIT) 8-32 (TIGHT FIT)




MM [INCH]

ALL DIMENSIONS  $\pm$  0.13 [.005]

CENTER OF GRAVITY  $\pm$  2 [.079]

WEIGHT: 9 GRAMS  $\pm$  1 GRAM

UNLESS OTHERWISE SPECIFIED DIMENSION ARE IN MM TOLERANCES ARE: DECIMALS: ANGLES: X $\pm$ .25 $\pm$ .5° .XX $\pm$ .1		 909 ELECTRIC AVE, SUITE 206 SEAL BEACH, CA 90740 562-493-0158	
DO NOT SCALE DRAWING		NAME/DESC: <b>SLICE MICRO LID, MOUNTING DIMENSIONS</b>	
MATERIAL: <b>6061-T651 ALUMINUM</b>	DRAWING NO: <b>SLICE-M2D-1480</b>	REV: <b>1</b>	
DRAWN BY: <b>G NEWTON 2-17-10</b>	SIZE: <b>A</b>	SCALE <b>1:1</b>	SHEET <b>1 OF 1</b>