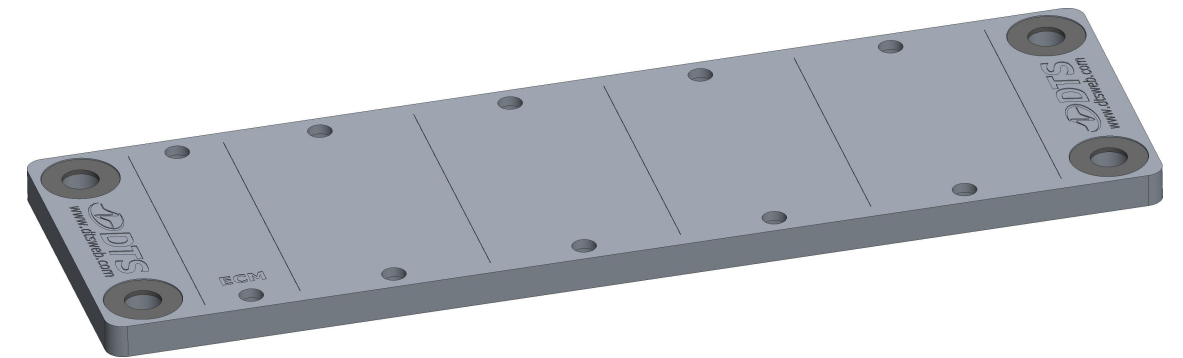
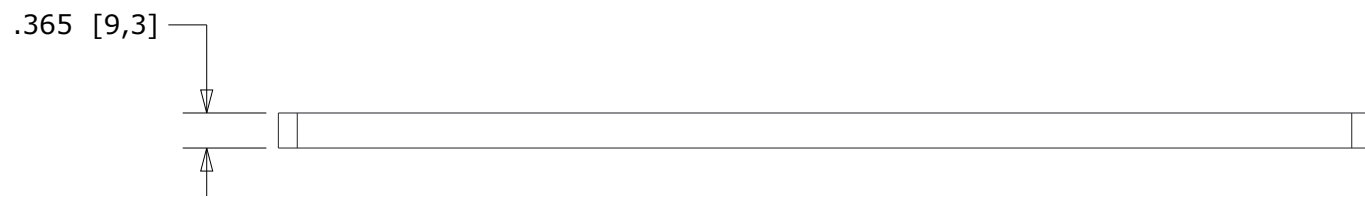
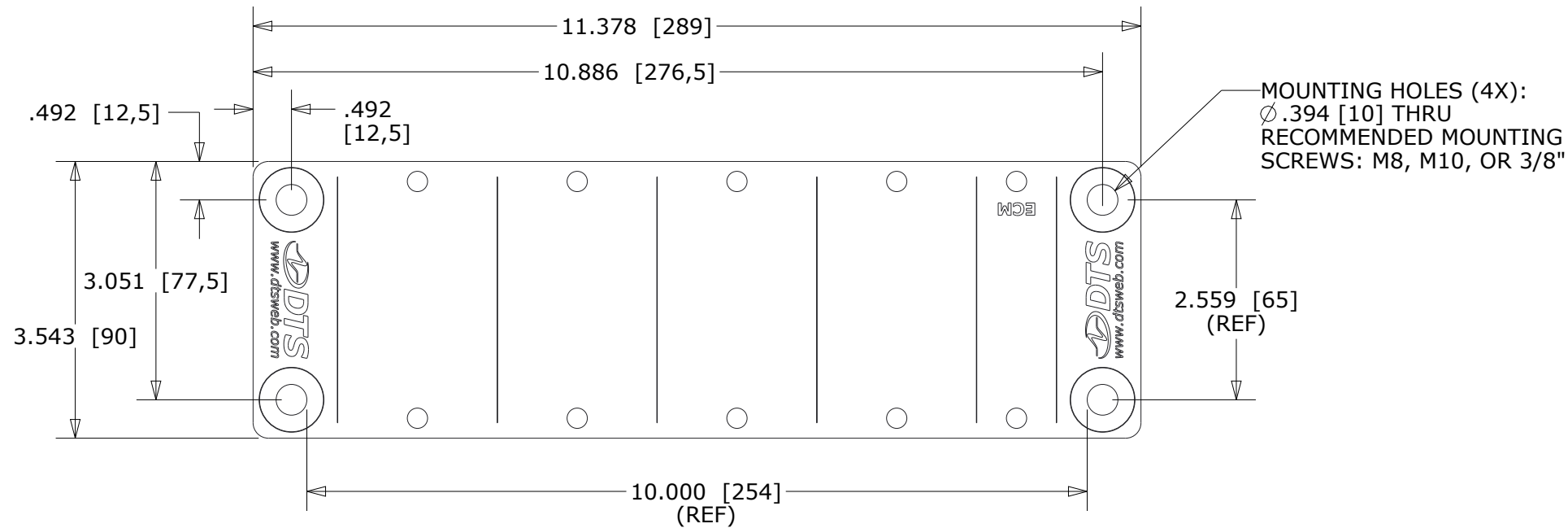
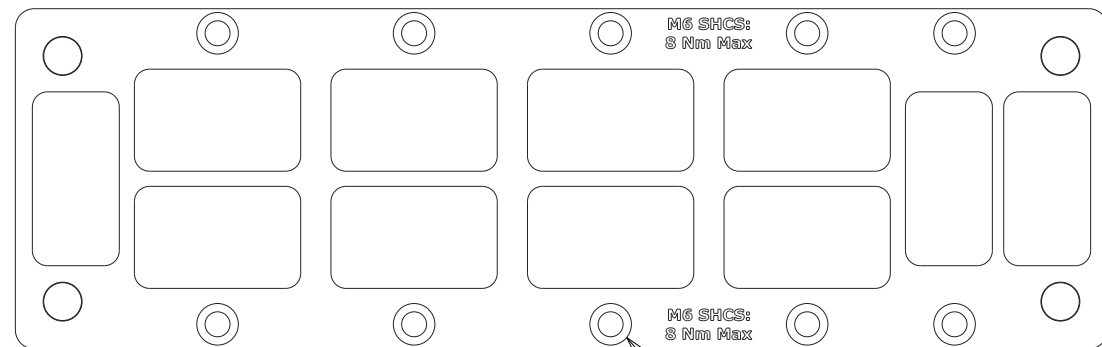


| REVISIONS | | | |
|-----------|---|---------|------|
| REV | DESCRIPTION | DATE | APPR |
| 0 | ORIGINAL RELEASE | 2/18/13 | KS |
| 1 | UPDATED DRAWING TO REFLECT PART REVISIONS | 6/24/15 | JC |



**WEIGHT: 1.10 LB.
17.7 OZ.
501 GRAMS**



**COUNTERBORES FOR MOUNTING SLICE PRO MODULES.
USE STAINLESS STEEL SHCS, M6 X 1.0, 12 MM LENGTH.
TIGHTEN SHCS TO 8 Nm MAX.**

**SHIPS WITH STAINLESS STEEL
WASHERS EMBEDDED IN THE
MOUNTING HOLE LOCATIONS**

| | | | |
|--|---------------------------------------|--|-------------------------|
| UNLESS OTHERWISE SPECIFIED DIMENSION ARE IN INCHES TOLERANCES ARE: FRACTIONS: DECIMALS: ANGLES: MACHINED: ± 1/64 .X ± .1 ± .5° 125 .XX ± .01 .XXX ± .002 | | 909 ELECTRIC AVE, SUITE 206 SEAL BEACH, CA 90740 562-493-0158 NAME/DESC: SLICE PRO BASIC MOUNTING RACK-5 PIECE (ETHERNET) | |
| DO NOT SCALE DRAWING | | | |
| MATERIAL: 6061-T651 ALUMINUM | DRAWING NO: 13000-40360-TCN | REV: 1 | |
| DRAWN BY: J CASEY 6-24-15 | SIZE: B | SCALE: 1:2 | SHEET: 1 OF 1 |