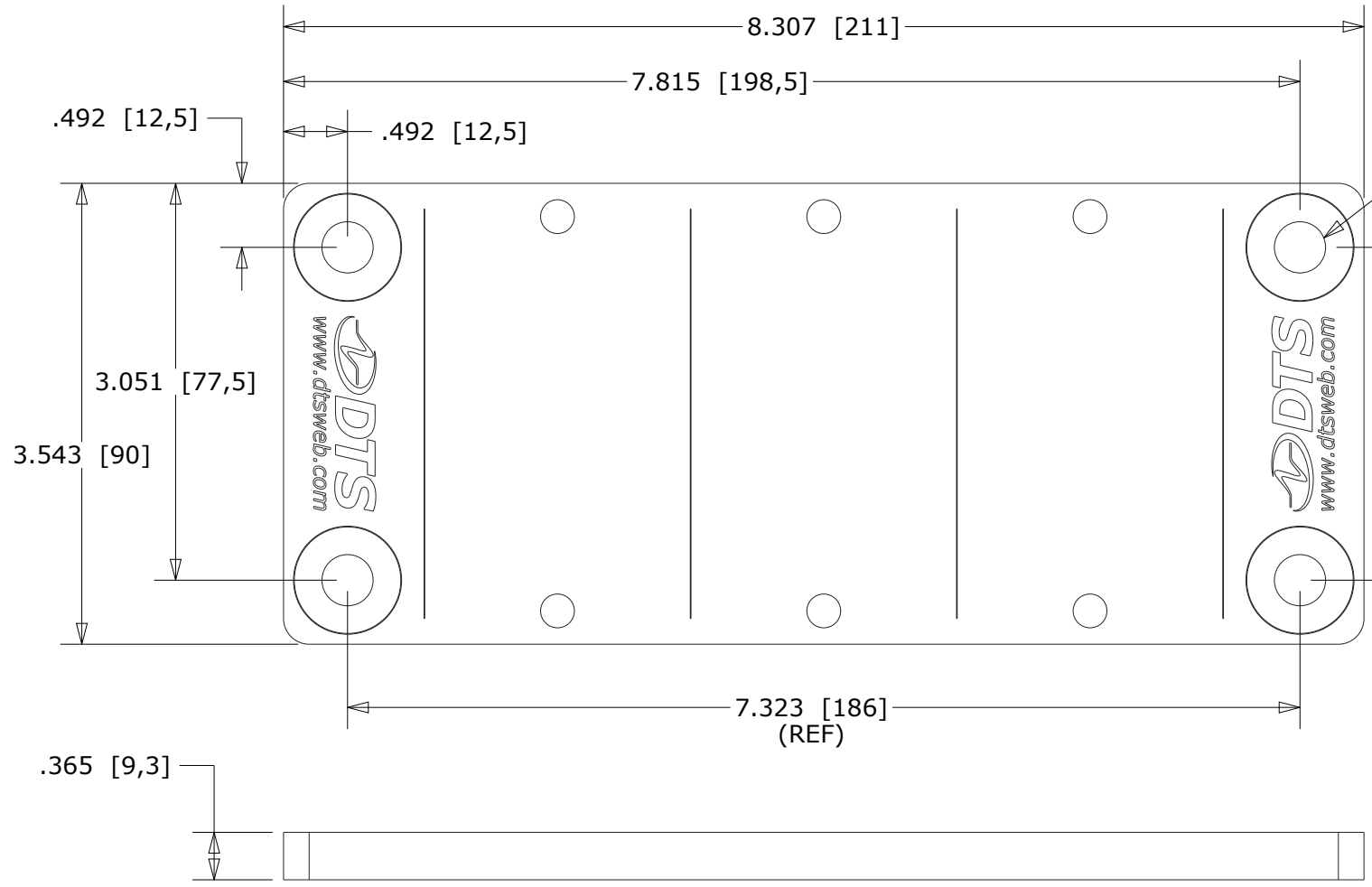
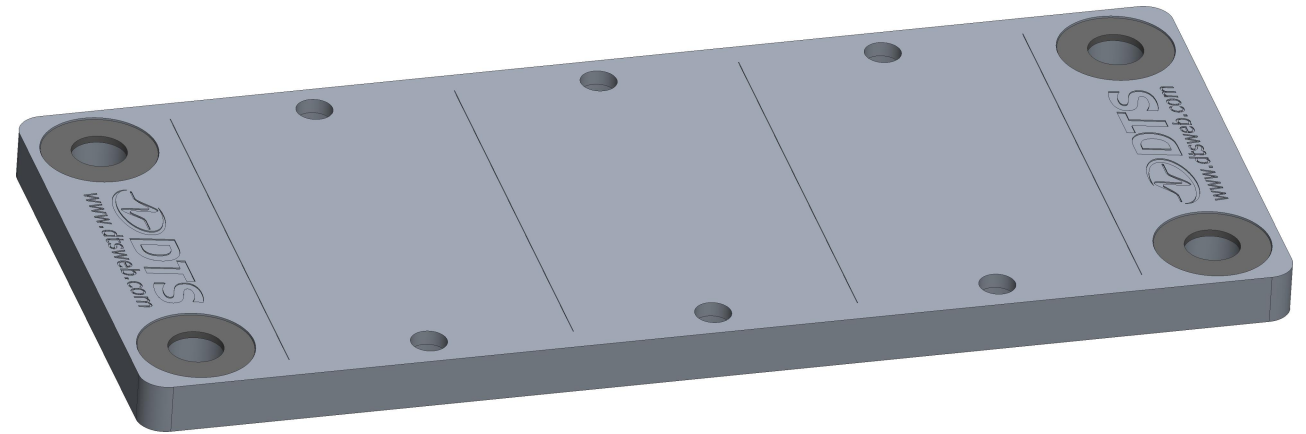


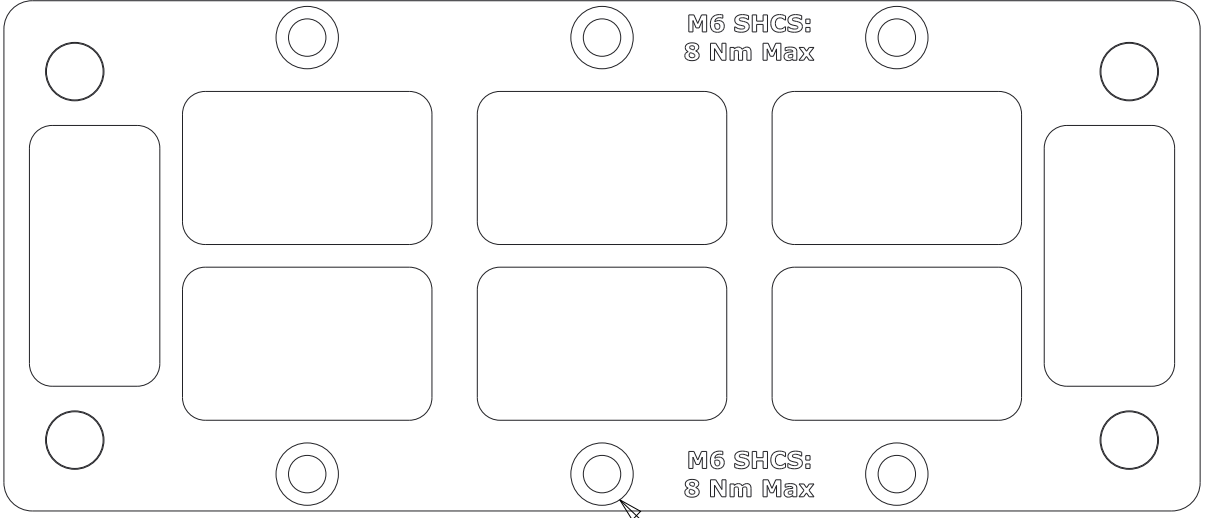
REVISIONS			
REV	DESCRIPTION	DATE	APPR
0	ORIGINAL RELEASE	2/18/13	KS
1	UPDATED DRAWING TO REFLECT PART REVISIONS	6/24/15	JC



MOUNTING HOLES (4X):
 \varnothing .394 [10] THRU
 RECOMMENDED MOUNTING
 SCREWS: M8, M10, OR 3/8"




**WEIGHT: .78 LB.
 12.6 OZ.
 355 GRAMS**



COUNTERBORES FOR MOUNTING SLICE PRO MODULES.
 USE STAINLESS STEEL SHCS, M6 X 1.0, 12 MM LENGTH.
 TIGHTEN SHCS TO 8 Nm MAX.

**SHIPS WITH STAINLESS STEEL
 WASHERS EMBEDDED IN THE
 MOUNTING HOLE LOCATIONS**

UNLESS OTHERWISE SPECIFIED DIMENSION ARE IN INCHES TOLERANCES ARE: FRACTIONS: DECIMALS: ANGLES: MACHINED: $\pm 1/64$.X $\pm .1$ $\pm .5^\circ$ 125 .XX $\pm .01$.XXX $\pm .002$		 909 ELECTRIC AVE, SUITE 206 SEAL BEACH, CA 90740 562-493-0158	
DO NOT SCALE DRAWING		NAME/DESC: SLICE PRO BASIC MOUNTING RACK-3 PIECE (USB)	
MATERIAL: 6061-T651 ALUMINUM	DRAWING NO: 13000-40350-TCN	REV: 1	
DRAWN BY: J CASEY 6-24-15	SIZE: B	SCALE: 3:4	SHEET: 1 OF 1