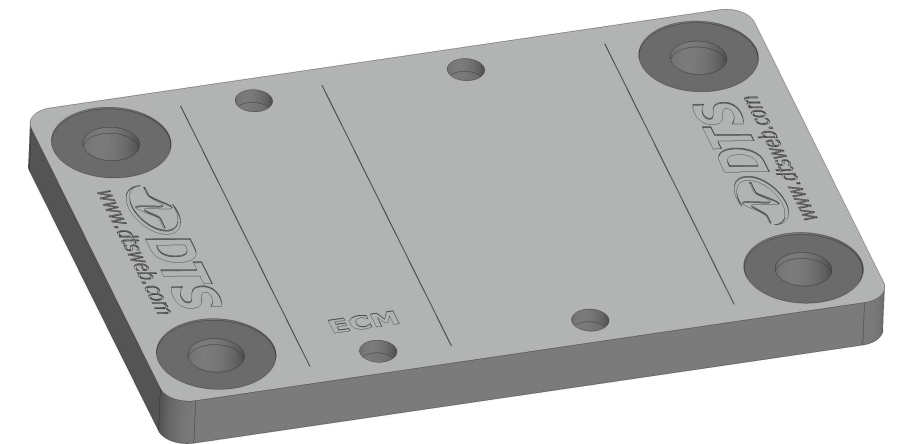


COUNTERBORES FOR MOUNTING SLICE PRO MODULES.
 USE STAINLESS STEEL SHCS, M6 X 1.0, 12 MM LENGTH.
 TIGHTEN SHCS TO 8 Nm MAX.

REVISIONS			
REV	DESCRIPTION	DATE	APPR
0	ORIGINAL RELEASE	4/22/15	JC
1	UPDATED DRAWING TO REFLECT PART REVISIONS	6/24/15	JC



**WEIGHT: .50 LB.
 8.0 OZ.
 226 GRAMS**

**SHIPS WITH STAINLESS STEEL
 WASHERS EMBEDDED IN THE
 MOUNTING HOLE LOCATIONS**

UNLESS OTHERWISE SPECIFIED DIMENSION ARE IN INCHES TOLERANCES ARE: FRACTIONS: DECIMALS: ANGLES: MACHINED: $\pm 1/64$.X \pm .1 $\pm .5^\circ$ 125 .XX \pm .01 .XXX \pm .002		909 ELECTRIC AVE, SUITE 206 SEAL BEACH, CA 90740 562-493-0158	
DO NOT SCALE DRAWING		NAME/DESC: SLICE PRO BASIC MOUNTING RACK 2 PIECE (ETHERNET VERSION)	
MATERIAL: 6061-T651 ALUMINUM	DRAWING NO: 13000-40520-TCN	REV: 1	
DRAWN BY: J CASEY 6-24-15	SIZE: B	SCALE: 3:4	SHEET: 1 OF 1