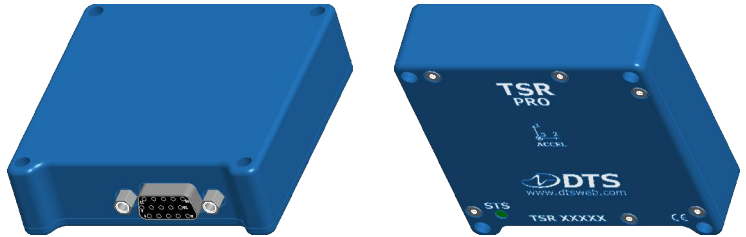
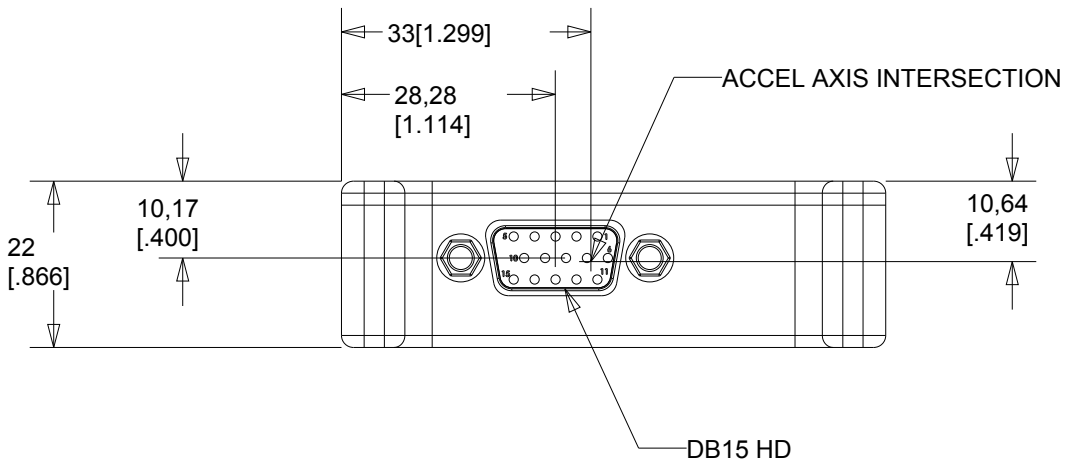
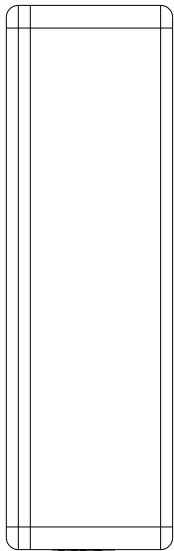
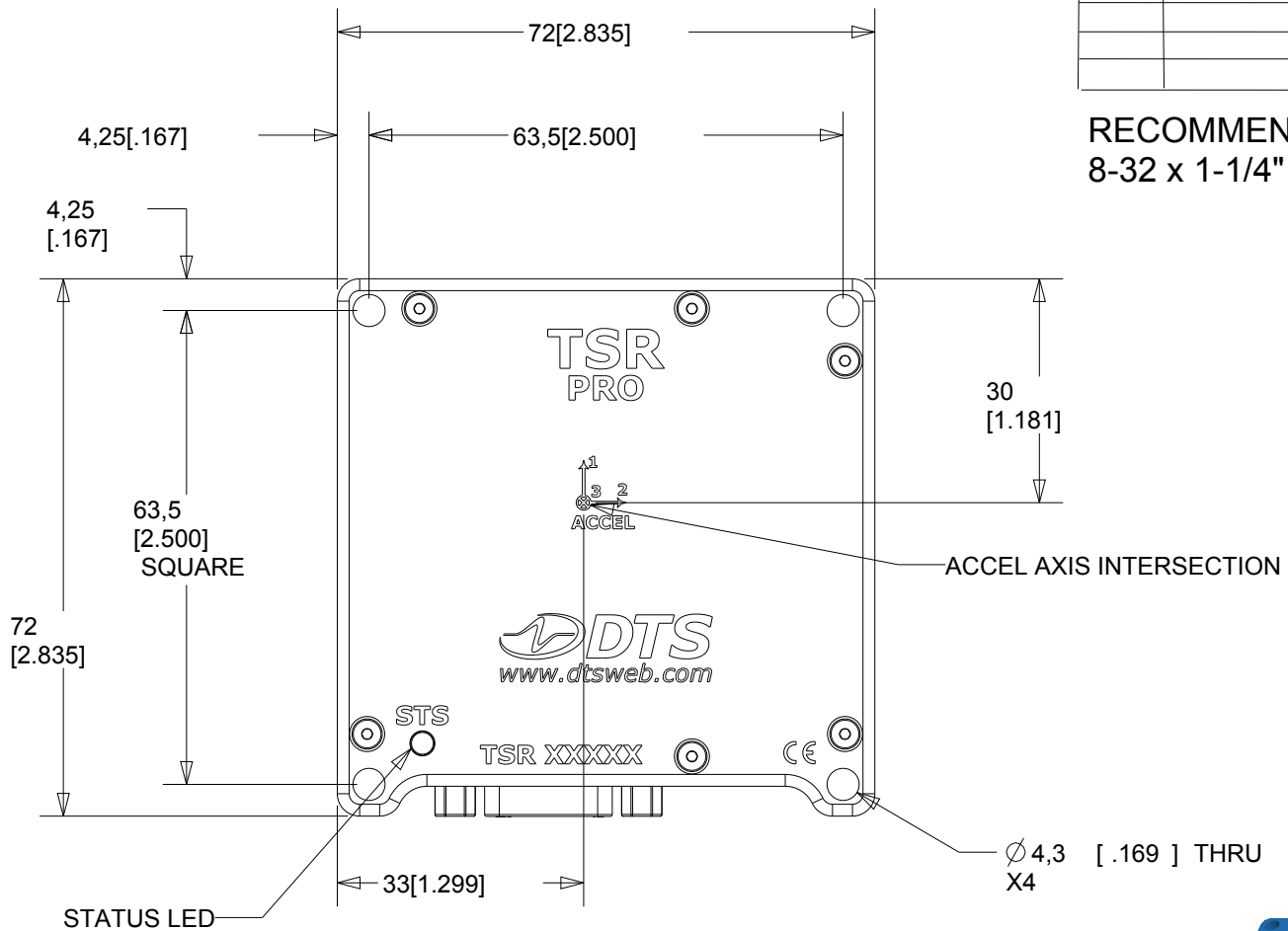


REVISIONS			
REV	DESCRIPTION	DATE	APPR

**RECOMMENDED MOUNTING HARDWARE:
8-32 x 1-1/4" SCREWS**



UNLESS OTHERWISE SPECIFIED
DIMENSION ARE IN MM
TOLERANCES ARE:
DECIMALS: ANGLES:
X ± .25 ± .5°
.XX ± .1

DO NOT SCALE DRAWING

DTS 909 ELECTRIC AVE, SUITE 206
SEAL BEACH, CA 90740
562-493-0158

NAME/DESC:
**TSR PRO AND TSR PRO-HB,
MOUNTING DIMENSIONS**

MATERIAL: 6061-T651 ALUMINUM CASE	DRAWING NO:	REV: 0
DRAWN BY: G NEWTON 5/13/11	SIZE: A	SCALE 1:1
	SHEET 1 OF 1	