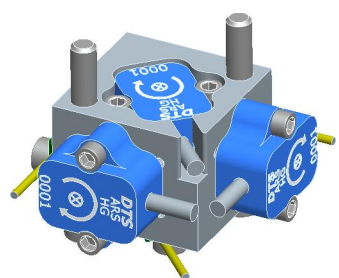
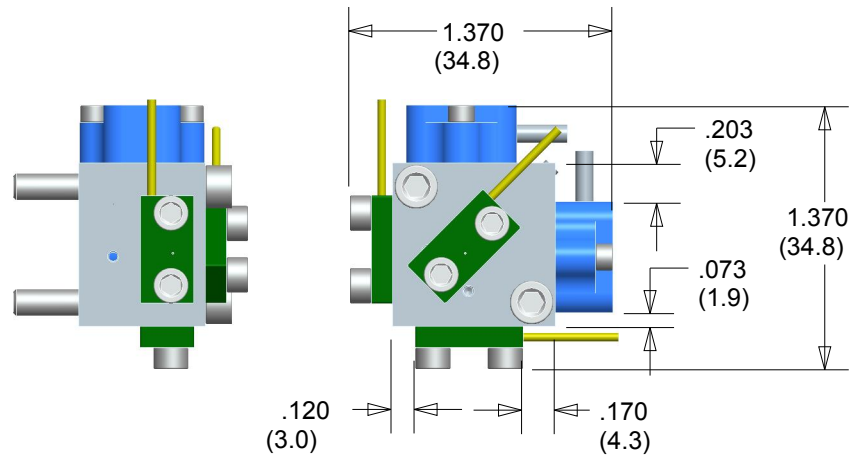
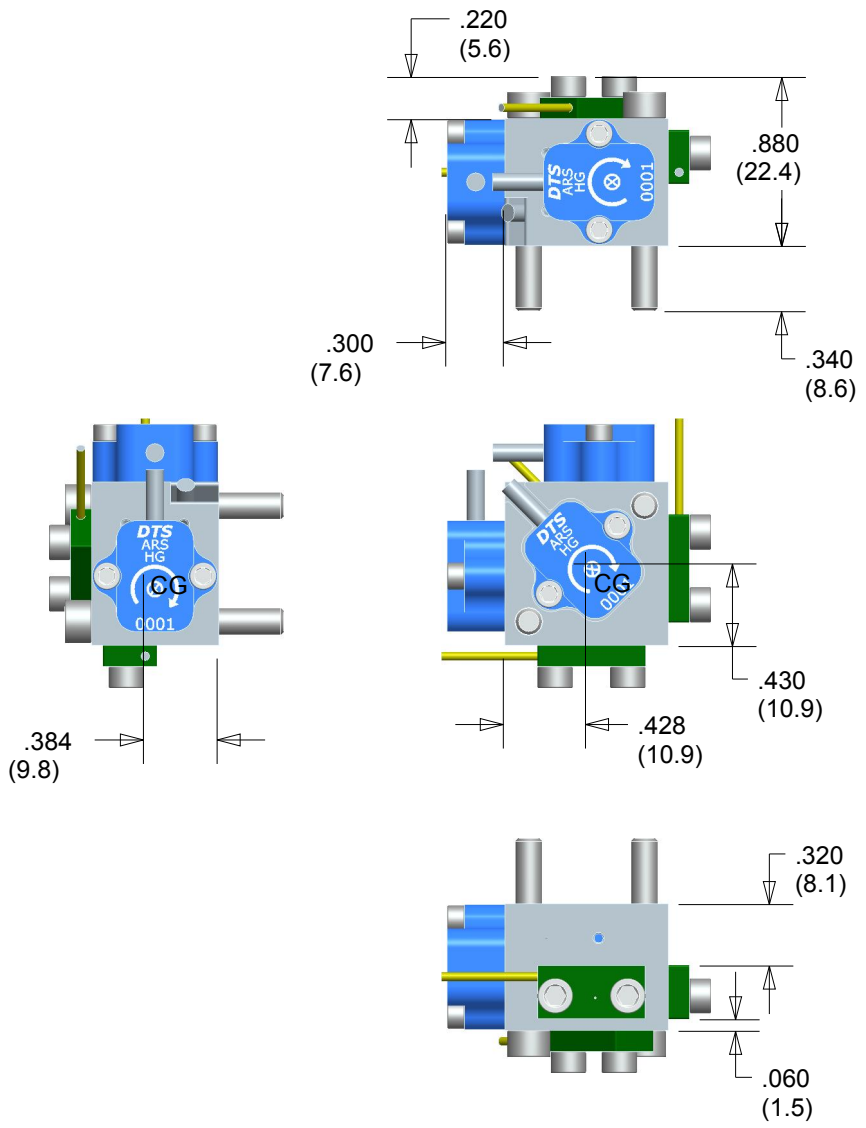
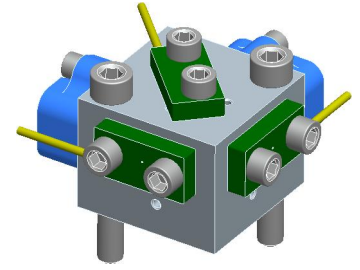


REVISIONS			
REV	DESCRIPTION	DATE	APPR



ARS MOUNTING SIDES



ACCEL MOUNTING SIDES

INCH (MM)

CENTER OF GRAVITY (WITH ALL DEVICES):  $\pm .02$  (.5)

WEIGHT (WITH ALL DEVICES):  $37.8 \pm .2$  GRAMS

RECOMMENDED SCREWS: #6-32 X 1 in (M3-0.5 X 25)

McMASTER PN: 91251A153 (91290A125)

RECOMMENDED TORQUE: 9.6 IN-LB  $\pm 2$  (.9 Nm) DRY (20% LESS IF LUBRICATED)

UNLESS OTHERWISE SPECIFIED  
 DIMENSION ARE IN INCHES  
 TOLERANCES ARE:  
 FRACTIONS: DECIMALS: ANGLES: MACHINED:  
 $\pm 1/64$  .X  $\pm .1$   $\pm 5^\circ$  125  
 .XX  $\pm .01$   
 .XXX  $\pm .002$   
 DO NOT SCALE DRAWING

**DTS** 909 ELECTRIC AVE, SUITE 206  
 SEAL BEACH, CA 90740  
 562-493-0158

NAME/DESC:  
**TRIAx BLOCK FOR ARS HG -  
 WITH COMPONENTS**

MATERIAL:  
**7075-T651  
 ALUMINUM**

DRAWING NO:  
 DRAWN BY:  
**K SHOEMAKER 10-4-11**

REV: 0  
 SIZE: A  
 SCALE: 1:1  
 SHEET: 1 OF 1