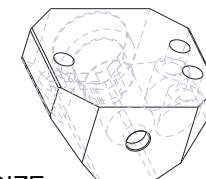
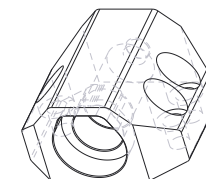
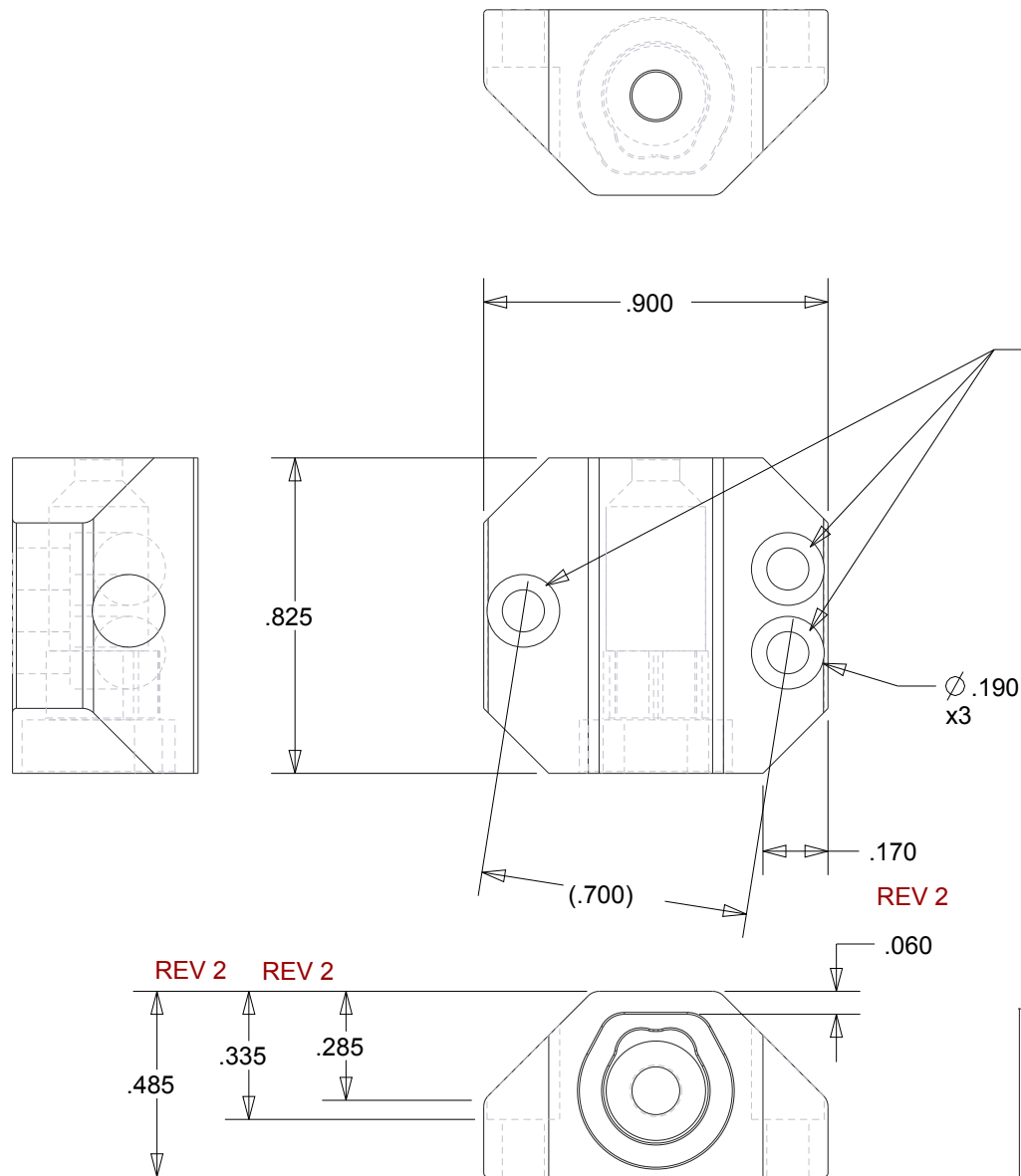


MAKE PART FROM DIGITAL MEDIA (PRO/E PARASOLID)
THIS DRAWING SHOWS OVERALL DIMENSIONS & NOTES ONLY

REVISIONS			
REV	DESCRIPTION	DATE	APPR
1	CHANGED MATERIAL FROM AL TO STEEL	8-27-13	GN
2	OVERALL SIZE, MTRL CHNG 7075, ANODIZE	5-19-14	GN




MASK COUNTERBORE SURFACES DURING ANODIZE
REV 2

NOTES:

1. BREAK AND DEBURR ALL SHARP EDGES
2. ANODIZE PER MIL-A-8625 TYPE II CLASS 2 (BLACK)

REV 2

UNLESS OTHERWISE SPECIFIED DIMENSION ARE IN INCHES TOLERANCES ARE: FRACTIONS: DECIMALS: ANGLES: MACHINED: ± 1/64 .X ± .1 ± 5° 125 .XX ± .01 .XXX ± .002		 909 ELECTRIC AVE, SUITE 206 SEAL BEACH, CA 90740 562-493-0158	
DO NOT SCALE DRAWING		NAME/DESC: FLEX Leg Quick Disconnect, Bracket	
MATERIAL: 7075 ALUMINUM REV 2	DRAWING NO: 89100-14580	REV: 2	
DRAWN BY: G NEWTON 4-22-10	SIZE: A	SCALE: 2:1	SHEET 1 OF 1