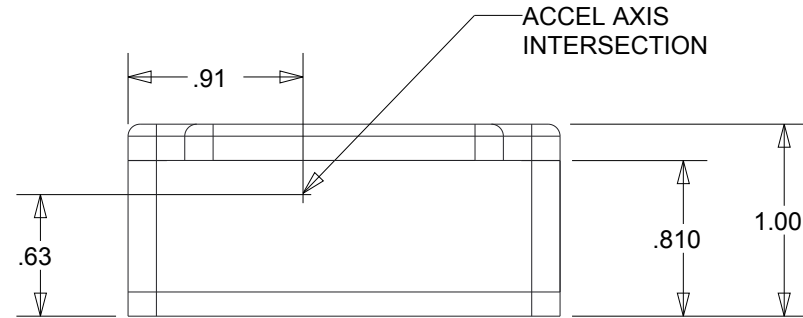
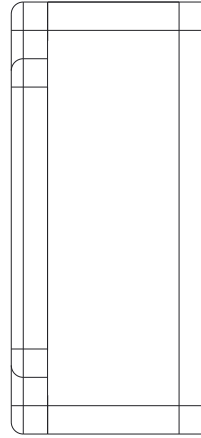
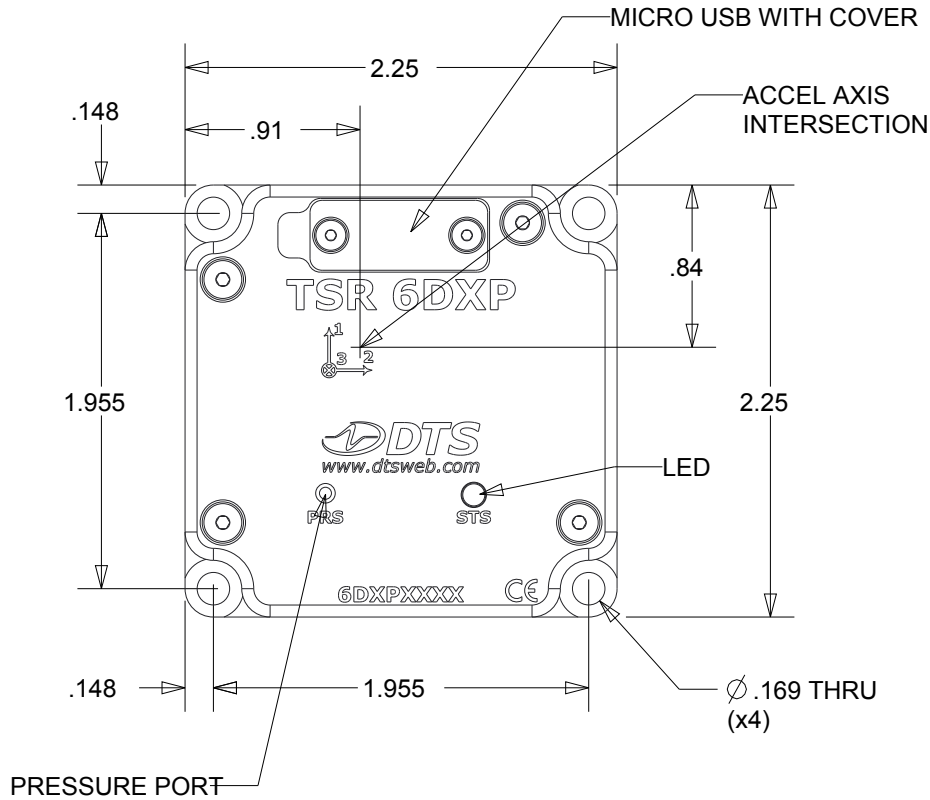


REVISIONS			
REV	DESCRIPTION	DATE	APPR
1	ADDED SENSOR LOCATION	4/25/11	GN
2	UPDATED DRAWING TO MATCH ARTWORK	2/13/12	GN



RECOMMENDED MOUNTING HARDWARE:

MOUNTING SCREWS:
 (4x) 8-32 x 1-1/8" LENGTH
 BLACK-OXIDE ALLOY SHCS
 MCMaster-CARR PN: 91251A183
 DTS PN: 90000-S0102

MOUNTING LOCK WASHERS:
 (4x) NO. 8, .28" OD, .02" THK
 SERRATED BELLEVILLE WASHERS
 MCMaster-CARR PN: 93501A009
 DTS PN: 90000-W0015

UNLESS OTHERWISE SPECIFIED DIMENSION ARE IN INCHES TOLERANCES ARE: FRACTIONS: DECIMALS: ANGLES: MACHINED: $\pm 1/64$.X $\pm .1$ $\pm 5^\circ$ 125 .XX $\pm .01$.XXX $\pm .002$		909 ELECTRIC AVE, SUITE 206 SEAL BEACH, CA 90740 562-493-0158	
DO NOT SCALE DRAWING		NAME/DESC: TSR 6DXP, MOUNTING DIMENSIONS	
MATERIAL: 6061-T6 AL. ENCLOSURE		DRAWING NO: 13000-60200-MOUNTING	
DRAWN BY: G NEWTON 2-15-11		SIZE: A	SCALE 1:1
		REV: 2 SHEET 1 OF 1	