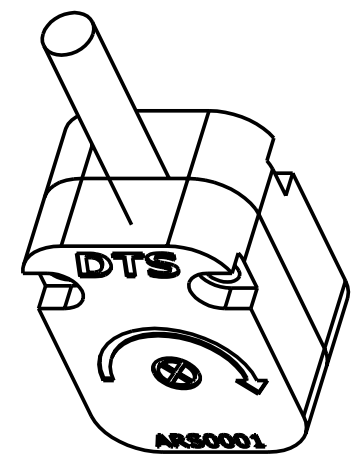
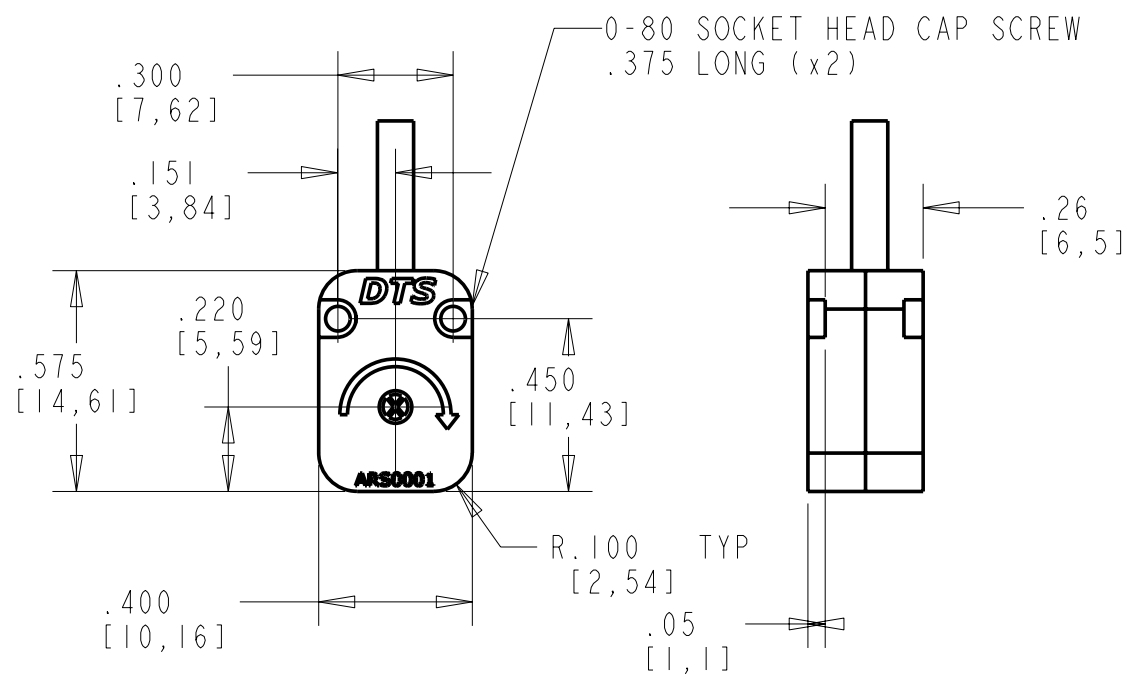
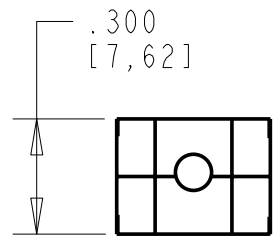
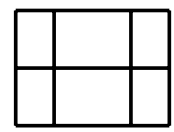



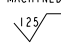
REVISIONS			
REV	DESCRIPTION	DATE	APPR



SCALE 3.000



SCALE 2.000

UNLESS OTHERWISE SPECIFIED DIMENSION ARE IN INCHES TOLERANCES ARE:		 <b>Diversified Technical Systems, Inc.</b> 909 ELECTRIC AVE, SUITE 206 SEAL BEACH, CA 90740 562-493-0158
FRACTIONS: ± 1/64	DECIMALS: .X ± .1 .XX ± .01 .XXX ± .002	
ANGLES: ± .5°		NAME / DESC:  ARS , ASSEMBLY DTS
MACHINED: 		
DO NOT SCALE DRAWING		
MATERIAL:	DRAWING NO:	REV:
DRAWN BY:	SIZE: A	SCALE: NONE
		SHEET