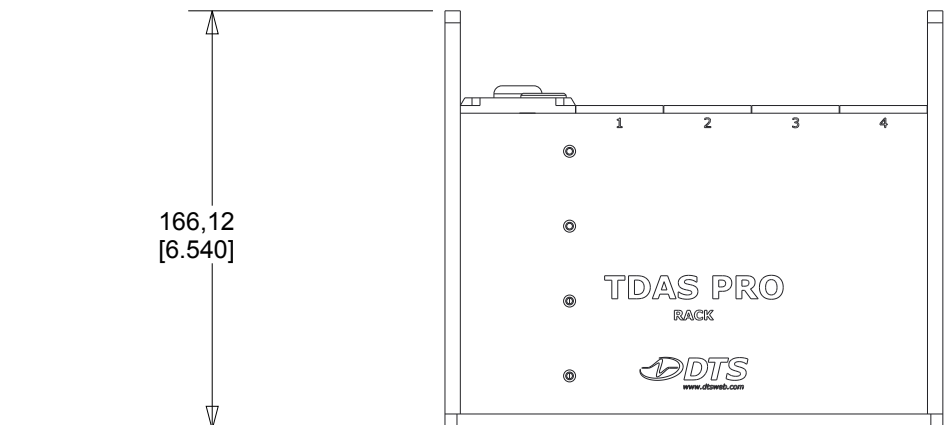
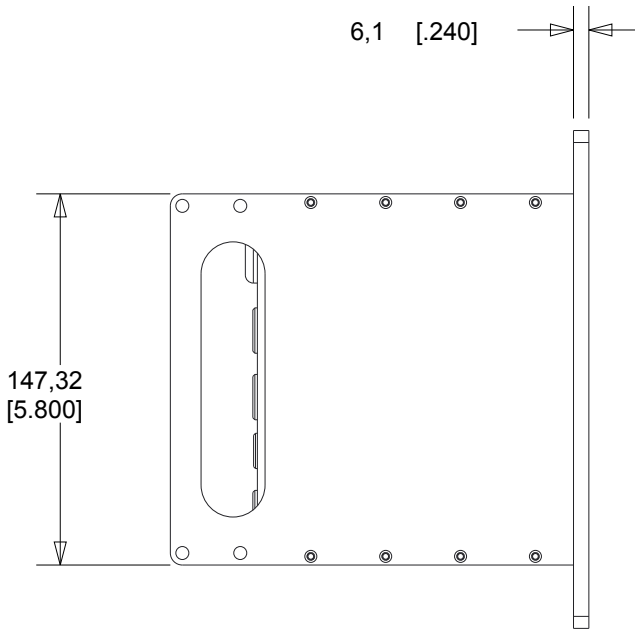
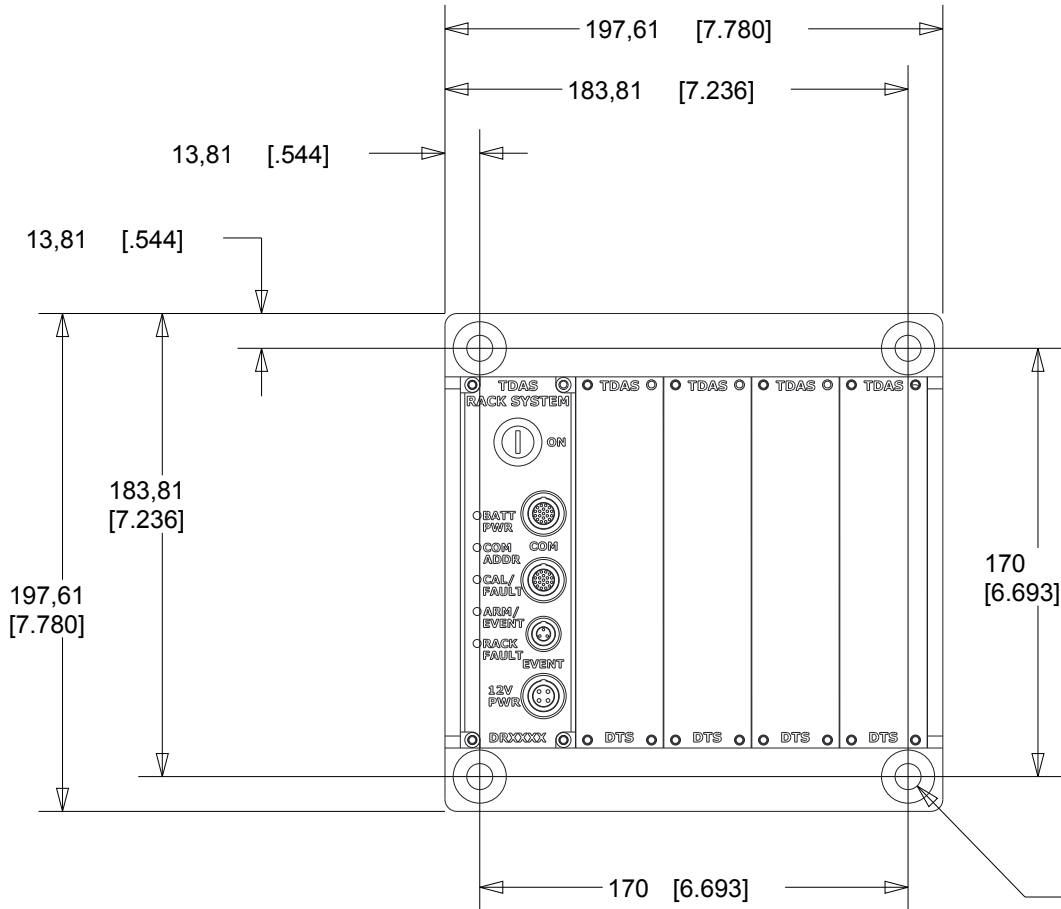


REVISIONS			
REV	DESCRIPTION	DATE	APPR



Ø 10,31 [ .406 ] THRU X4



UNLESS OTHERWISE SPECIFIED  
 DIMENSION ARE IN MM  
 TOLERANCES ARE:  
 DECIMALS: ANGLES:  
 X ± .25 ± .5°  
 .XX ± .1

DO NOT SCALE DRAWING

**DTS** 909 ELECTRIC AVE, SUITE 206  
 SEAL BEACH, CA 90740  
 562-493-0158

NAME/DESC:  
**TDAS PRO 4-MODULE RACK,  
 OPTION B MOUNTING**

MATERIAL: <b>N/A</b>	DRAWING NO:		REV: <b>0</b>	
	DRAWN BY: <b>G NEWTON 3/18/14</b>	SIZE: <b>A</b>	SCALE <b>1:3</b>	SHEET <b>1 OF 1</b>