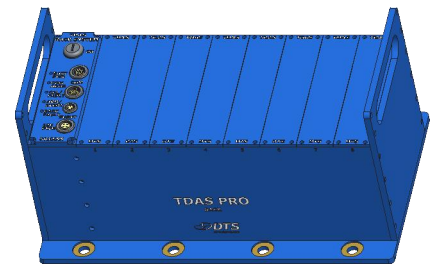
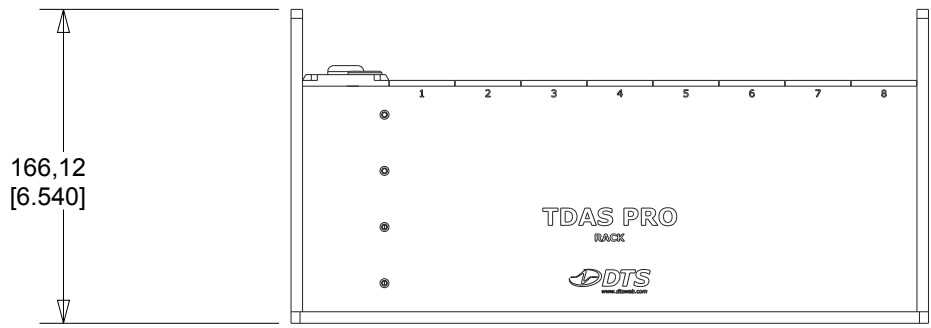
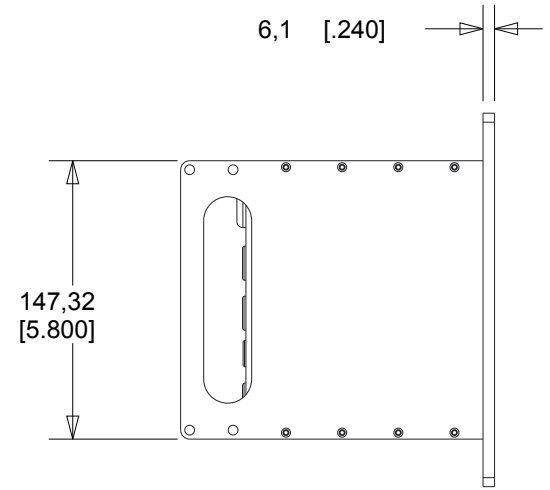
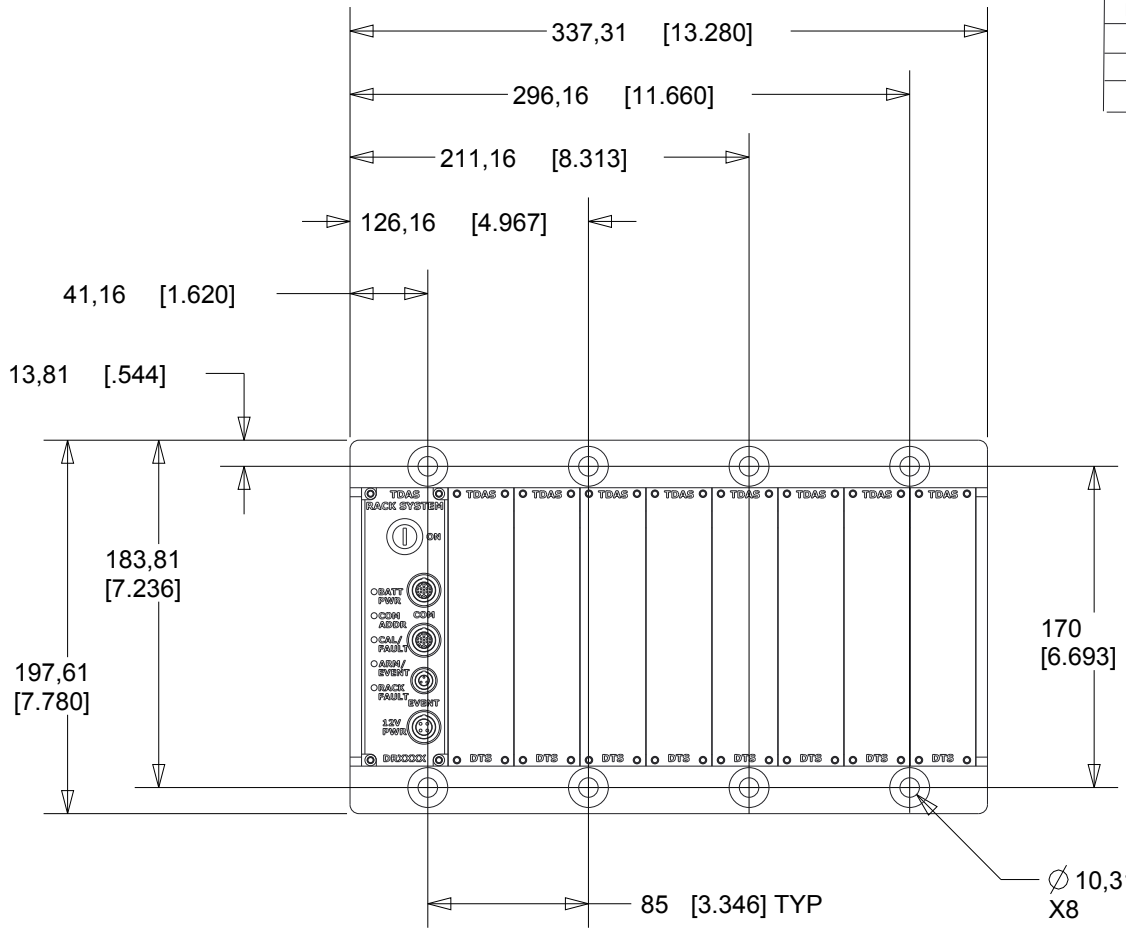


REVISIONS			
REV	DESCRIPTION	DATE	APPR



UNLESS OTHERWISE SPECIFIED
 DIMENSION ARE IN MM
 TOLERANCES ARE:
 DECIMALS: ANGLES:
 X ± .25 ± .5°
 .XX ± .1

DO NOT SCALE DRAWING

DTS 909 ELECTRIC AVE, SUITE 206
 SEAL BEACH, CA 90740
 562-493-0158

NAME/DESC: **TDAS PRO 8-MODULE RACK,
 OPTION B MOUNTING**

MATERIAL: N/A	DRAWING NO:	REV: 0
DRAWN BY: G NEWTON 3/18/14	SIZE: A	SCALE: 1:4
	SHEET 1 OF 1	