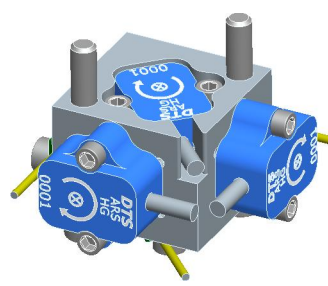
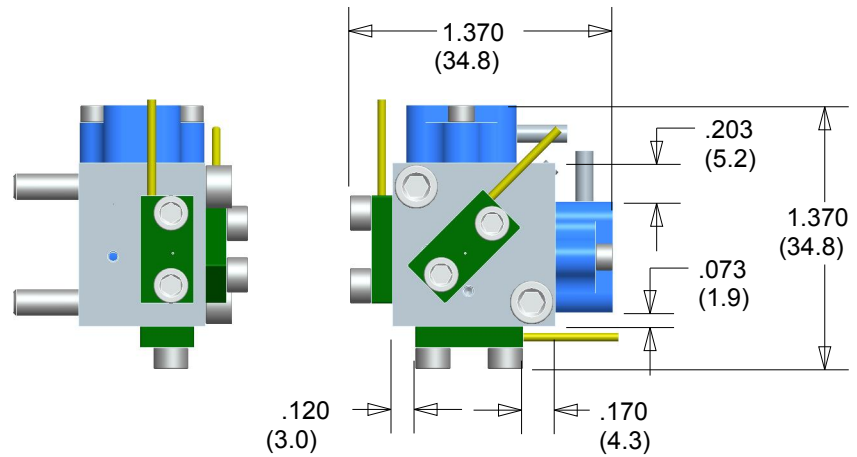
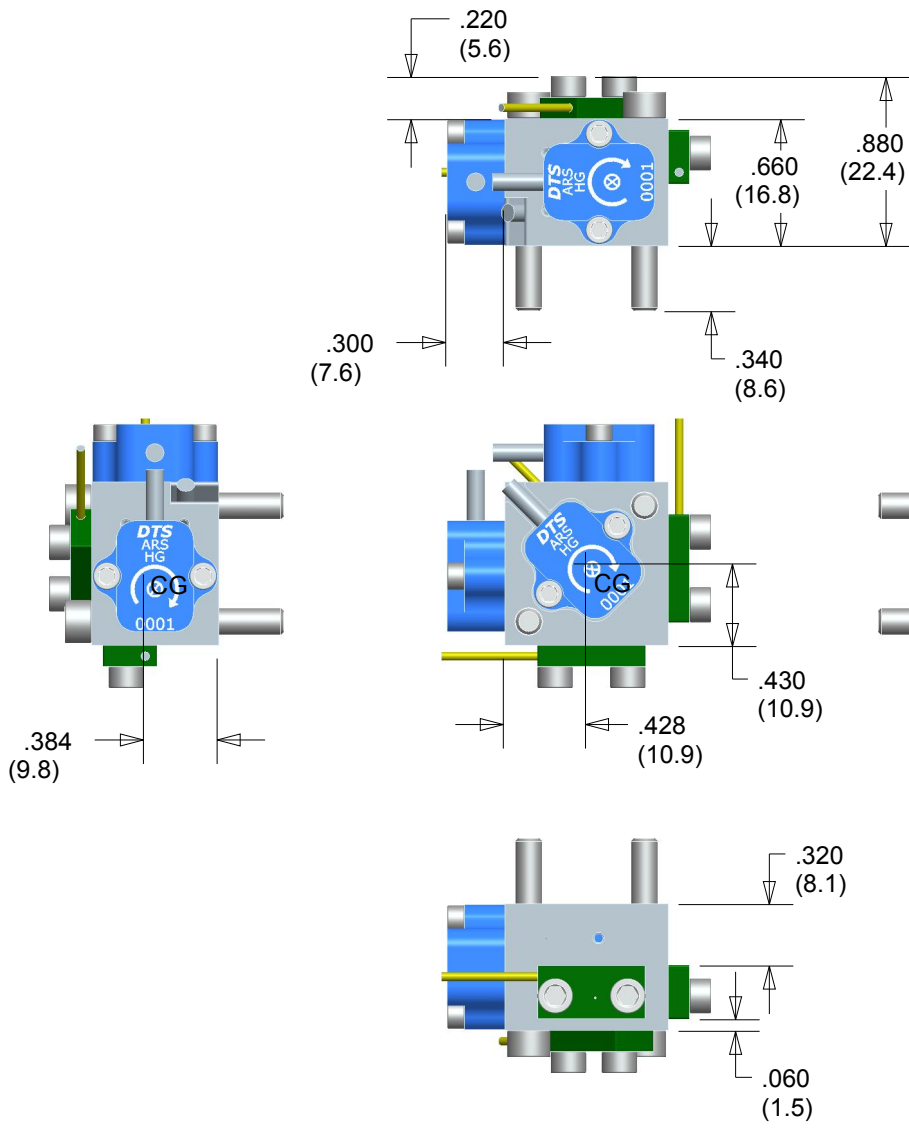
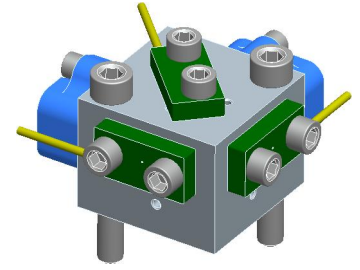


REVISIONS			
REV	DESCRIPTION	DATE	APPR
1	Added block height dimension (.660)	12/2/2011	ks



ARS MOUNTING SIDES



ACCEL MOUNTING SIDES

INCH (MM)

CENTER OF GRAVITY (WITH ALL DEVICES): ±.02 (.5)

WEIGHT (WITH ALL DEVICES): 37.8 ±.2 GRAMS

RECOMMENDED SCREWS: #6-32 X 1 in (M3-0.5 X 25)

McMASTER PN: 91251A153 (91290A125)

RECOMMENDED TORQUE: 9.6 IN-LB ±2 (.9 Nm) DRY (20% LESS IF LUBRICATED)

UNLESS OTHERWISE SPECIFIED
 DIMENSION ARE IN INCHES
 TOLERANCES ARE:
 FRACTIONS: DECIMALS: ANGLES: MACHINED:
 ± 1/64 .X ±.1 ± .5° 125
 .XX ±.01
 .XXX ±.002

DTS 909 ELECTRIC AVE, SUITE 206
 SEAL BEACH, CA 90740
 562-493-0158

NAME/DESC:
**TRIAx BLOCK FOR ARS HG -
 WITH COMPONENTS**

MATERIAL:
**7075-T651
 ALUMINUM**

DRAWING NO:
 REV: 1
 DRAWN BY:
 K SHOEMAKER 10-4-11
 SIZE: A SCALE: 1:1 SHEET: 1 OF 1