

SLICE6 AIR DAS System Conn Assy

Doc. No. 13006-90570-ASY

REVISIONS			
REV	DESCRIPTION	DATE	APPR
0	INITIAL RELEASE	28 APR 2021	

Wiring Table

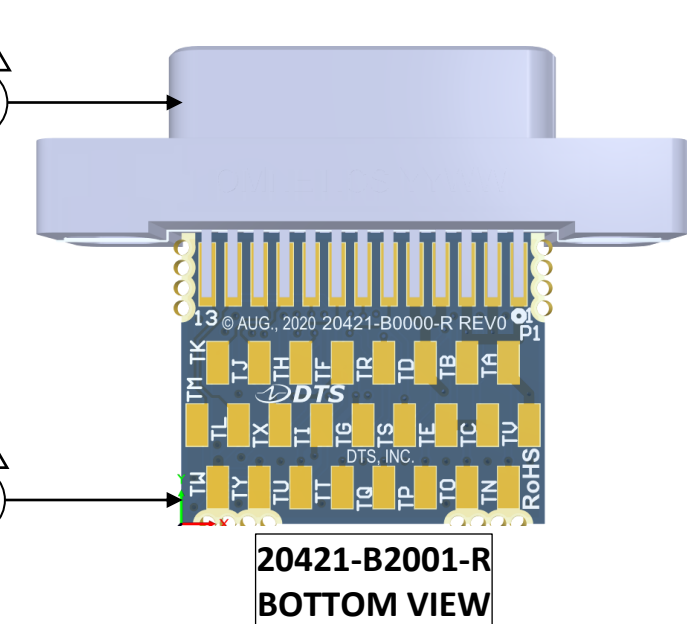
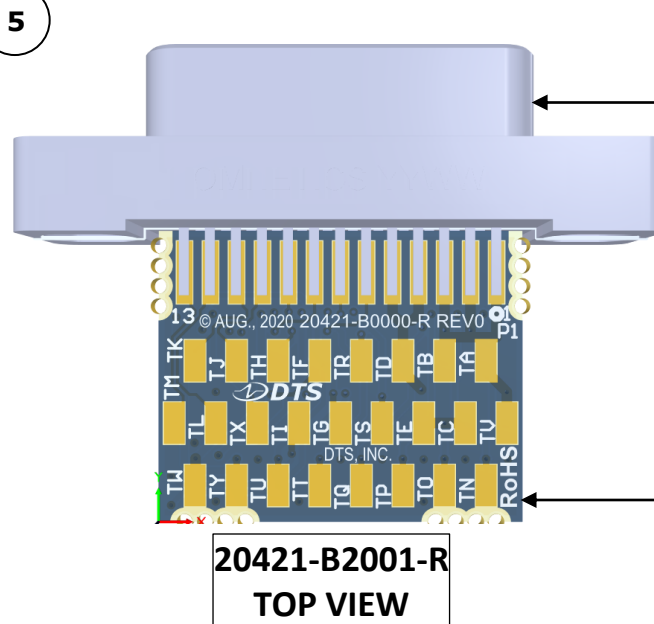
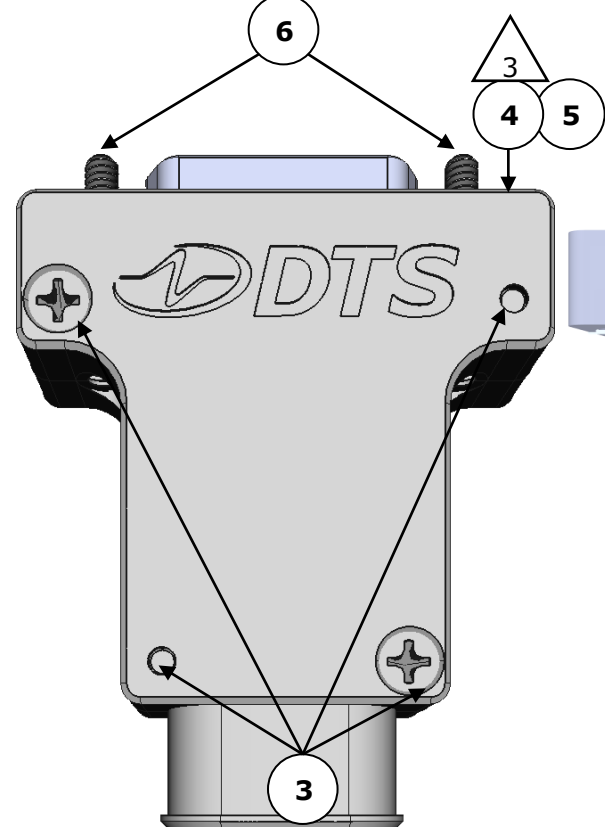
Materials

Key	1	2	Recommended color code for use with
Function	80000-04115-R A98105-025 20421-B2001-R; PCB		3600B/26
PWR	TA		BLK with (RED)
PWR	TB		RED with (BLK)
GND	TD		BLK with (GRN)
GND	TE		WHT with (BLK)
UART_RX_P	TR		RED with (BRN)
TX_P RTN	TF		BLK with (BLU)
RX_P RTN	TH		BLK with (ORG)
TX1P	TJ		RED with (WHT)
TX1N	TK		WHT with (RED)
PWR	TV		BLK with (WHT)
GND	TC		YEL with (BLK)
GND	TE		GRN with (BLK)
UART_RX_N	TS		BRN with (RED)
TX_N RTN	TG		BLU with (BLK)
RX_N RTN	TI		ORG with (BLK)
IRIGB	TX		RED with (ORG)
RX1P	TL		RED with (YEL)
RX1N	TM		YEL with (RED)
ON	TN		BRN with (BLK)
START	TO		BLK with (BRN)
EVENT	TP		BLU with (RED)
STATUS	TQ		RED with (BLU)
UART_TX_P	TT		RED with (GRN)
UART_TX_N	TU		GRN with (RED)
PPS	TY		BLK with (YEL)
CHASSIS	TW		ORG with (RED)
SHIELD	BACKSHELL		BLK with (RED)
TX_N RTN	BK		BLU with (BLK)
TX_P RTN	BJ		BLK with (BLU)
RX1P	BH		RED with (YEL)
TX1P	BF		RED with (WHT)
UART_RX_P	BR		RED with (BRN)
GND	BD		BLK with (GRN)
GND	BE		WHT with (BLK)
PWR	BB		RED with (BLK)
PWR	BA		BLK with (RED)
RX_N RTN	BM		ORG with (BLK)
RX_P RTN	BL		BLK with (ORG)
IRIGB	BX		RED with (ORG)
RX1N	BI		YEL with (RED)
TX1N	BG		WHT with (RED)
UART_RX_N	BS		BRN with (RED)
GND	BE		GRN with (BLK)
GND	BC		YEL with (BLK)
PWR	BV		BLK with (WHT)
CHASSIS	BW		ORG with (RED)
PPS	BY		BLK with (YEL)
UART_TX_N	BU		GRN with (RED)
UART_TX_P	BT		RED with (GRN)
STATUS	BQ		RED with (BLU)
EVENT	BP		BLU with (RED)
START	BO		BLK with (BRN)
ON	BN		BRN with (BLK)

3	90000-S0329-R 3/8" Machine Screw x4
4	89100-24290-R Backshell x2
5	89100-24560-R Strain Relief x2
6	90000-S0338-R Slotted Pan Head Screw x2

NOTES:

- IN ACCORDANCE WITH IPC/WHMA-A-620 CLASS REQUIREMENTS; STRIP AND SOLDER ALL WIRES SO THE INSULATION IS AS CLOSE AS POSSIBLE TO THE SOLDER CONNECTIONS
 - USE RMA OR NO-CLEAN FLUX
 - TEST APPROPRIATELY TO VERIFY CONNECTIONS PER WIRING TABLE
- INSTALL CONNECTOR 1 ONTO PCB 2 AS SHOWN FOLLOWING SHEET(S)
 - SOLDER CABLE CONDUCTORS TO PCB ASSEMBLY ACCORDING TO WIRING TABLE AND INSTRUCTIONS ON FOLLOWING SHEET(S)
 - COMPLETE BACKSHELL AND STRAIN RELIEF ASSEMBLY AS SHOWN ON THE FOLLOWING SHEET(S)
 - END OF CHAIN; SINGLE ENDED CABLES MUST HAVE JUMPERS OR 0Ω 0201 RESISTORS INSTALLED AT LOCATIONS INDICATED ON SHEET 2. WHEN CHAINING MULTIPLE DEVICES, THE LAST DEVICE ON THE CHAIN MUST HAVE JUMPERS OR 0Ω 0201 RESISTORS INSTALLED AT LOCATIONS INDICATED ON SHEET 2.**
 - SYSTEM DOWN IS USED FOR CHAINING MULTIPLE DAS. FOR CHAINED UNITS; CONNECT DOWN CHAIN CABLE TO BOTTOM OF 20421 PC AND WIRE INTO SYSTEM UP LANDS ON SECONDARY DEVICE ADAPTER. OMIT THIS SECTION FOR SINGLE ENDED ASSEMBLY.



**20421-B2001-R
TOP VIEW**

SYSTEM UP
UP to system interface
(or UP chain device)

**20421-B2001-R
BOTTOM VIEW**

SYSTEM DOWN
Connect to DOWN chain device(s);
(See note 4 for EOC)

**SYSTEM DOWN (Used to daisy chain multiple DAS)

RoHS Manufacture/Fabricate to meet the EU RoHS Directive 2011/65/EU and RoHS Annex II phthalates.

DRAWING NOT TO SCALE

UNLESS OTHERWISE SPECIFIED
DIMENSIONS ARE IN INCHES
OVERALL CABLE LENGTH TOLERANCE

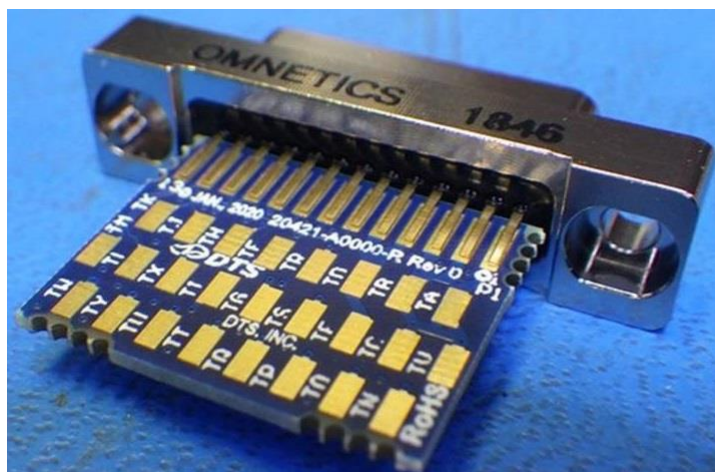
IMPERIAL		METRIC	
< 12in	+1in -0in	<0.3m	+25mm -0mm
>12in ≤ 60in	+2in -0in	>0.3m ≤ 1.5m	+50mm -0mm
>60in ≤ 120in	+4in -0in	>1.5m ≤ 3m	+100mm -0mm
>120in ≤ 300in	+6in -0in	>3m ≤ 7.5m	+150mm -0mm
>7.5m	+5% -0%	>7.5m	+5% -0%

Copyright © 2020 Diversified Technical Systems, Inc. All Rights Reserved

TITLE	SLICE6 AIR DAS System Conn Assy			
PROJECT	DOCUMENT	REV	SHEET	SIZE
S6A	13006-90570-R-ASY	0	1 of 2	B
FILE NAME:	13006-90570-R-ASY.docx			
DATE CREATED:	BY	LAST REVISED	BY	APPROVED
28 APR 2021	JW	---	--	SEE FRM

1

- Align and solder connector **1** onto PCB **2** as shown below.
 - Ensure connector pins align to the center of the pads and the PCB is fully seated against the connector body.



2

- Solder wire conductor to the TOP side of PCB according to wiring table and color code below.

Wiring color code is for recommended 13 Twisted Pair Conductor [3600B/26](#)



2

- Wire conductor to the TOP side of PCB according to wiring table and color code below.

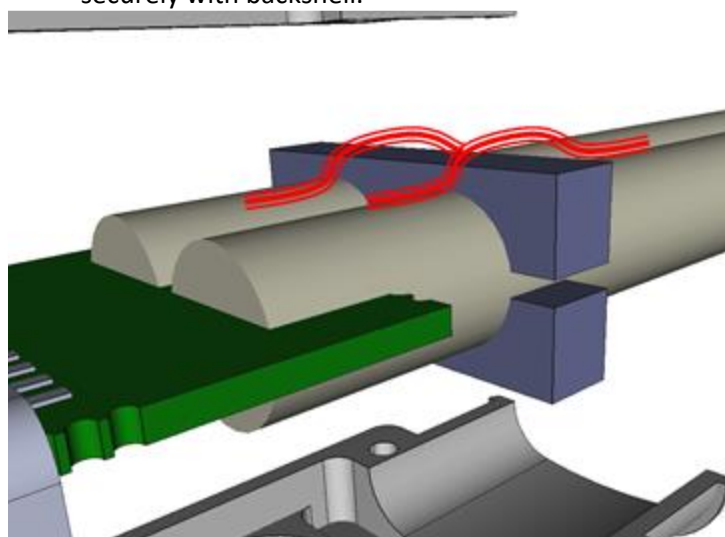
Wiring color code is for recommended 13 Twisted Pair Conductor [3600B/26](#)



3

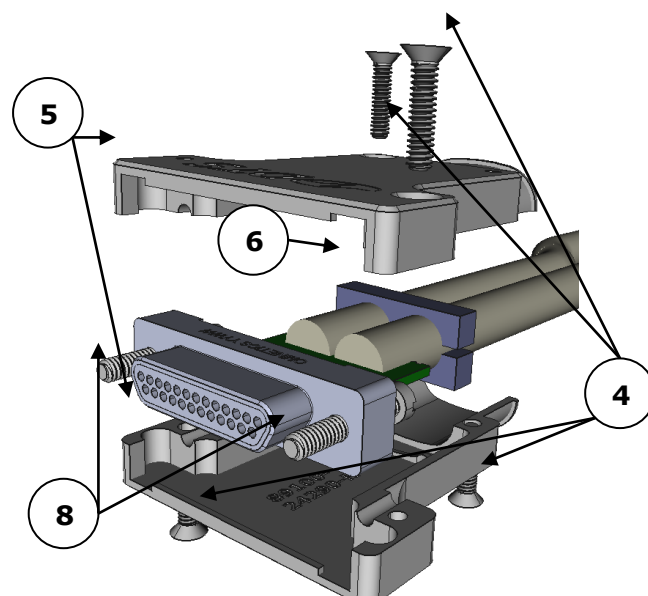
It is recommended that Shielded cable be used

- Unbraid shielding. Flatten shielding and fold back over strain relief.
 - Ensure shield braid is long enough to fold back and be clamped securely with backshell.



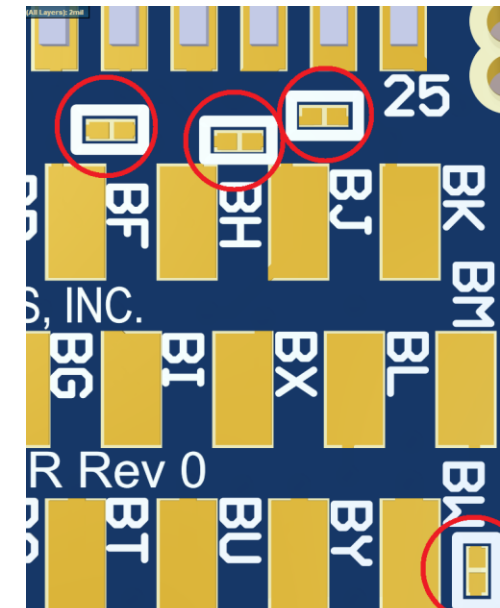
3

- Complete backshell and Strain relief assembly as shown. Select the appropriate strain relief for the cable configuration.



4

FOR SINGLE ENDED AND END OF CHAIN DEVICES
Install Jumper or 0Ω resistors on Bottom Side at Locations indicated.



DRAWING NOT TO SCALE

UNLESS OTHERWISE SPECIFIED
DIMENSIONS ARE IN INCHES
OVERALL CABLE LENGTH TOLERANCE

IMPERIAL		METRIC	
< 12in	+1in -0in	<0.3m	+25mm -0mm
>12in ≤ 60in	+2in -0in	>0.3m ≤ 1.5m	+50mm -0mm
>60in ≤ 120in	+4in -0in	>1.5m ≤ 3m	+100mm -0mm
>120in ≤ 300in	+6in -0in	>3m ≤ 7.5m	+150mm -0mm
>7.5m	+5% -0%	>7.5m	+5% -0%

RoHS Manufacture/Fabricate to meet the EU RoHS Directive 2011/65/EU and RoHS Annex II phthalates.



Copyright © 2020 Diversified Technical Systems, Inc. All Rights Reserved

TITLE					SLICE6 AIR DAS System Conn Assy				
PROJECT		DOCUMENT		REV	SHEET	SIZE			
S6A		13006-90570-R-ASY		0	2 of 2	B			
FILE NAME:					13006-90570-R-ASY.docx				
DATE CREATED:	BY	LAST REVISED	BY	APPROVED					
28 APR 2021	JW	---	--	SEE FRM					