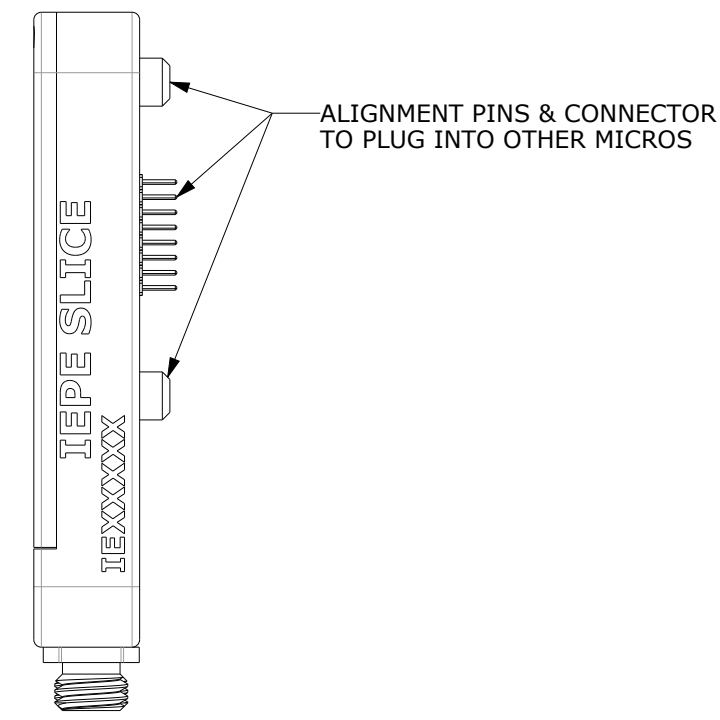
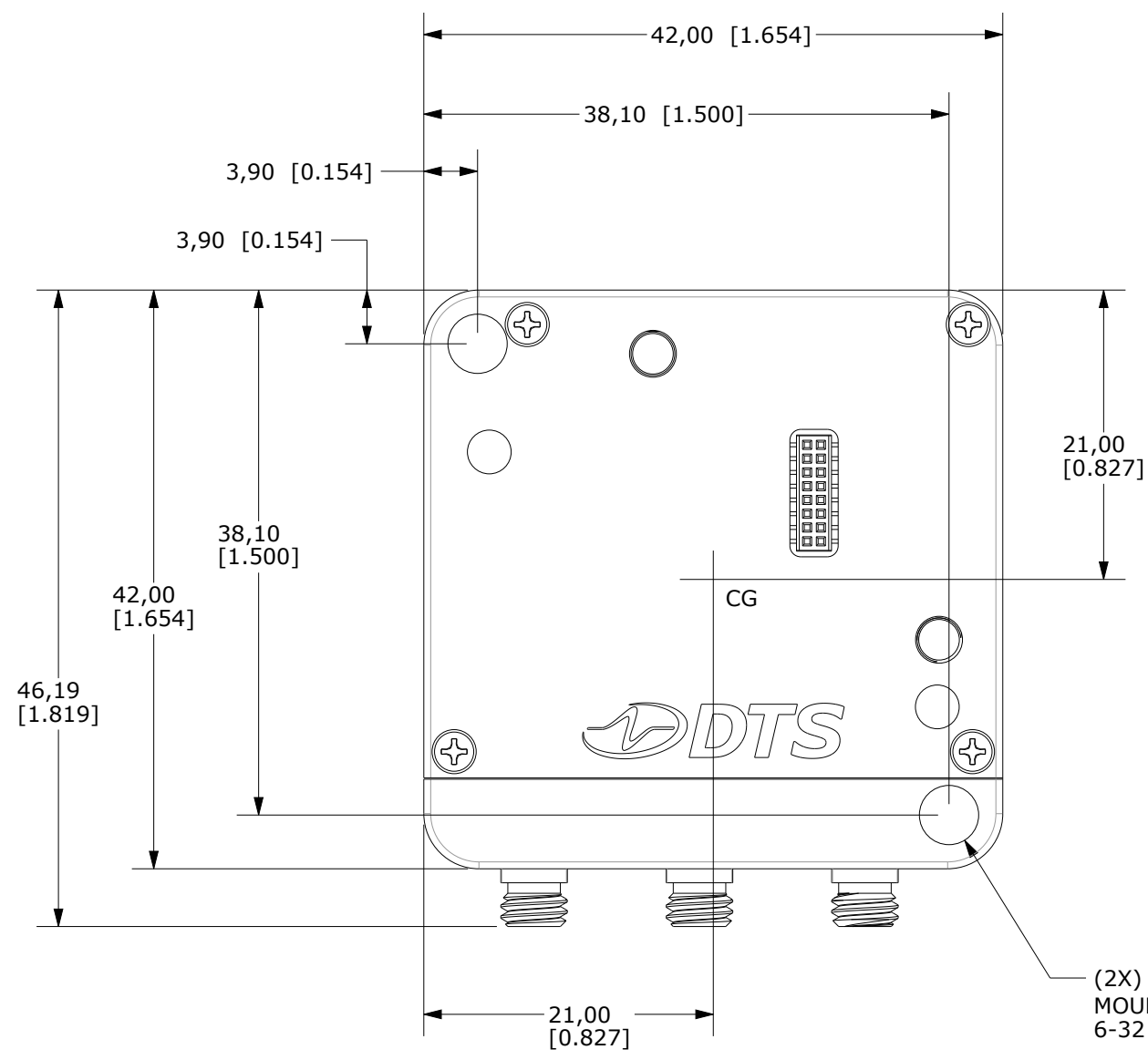


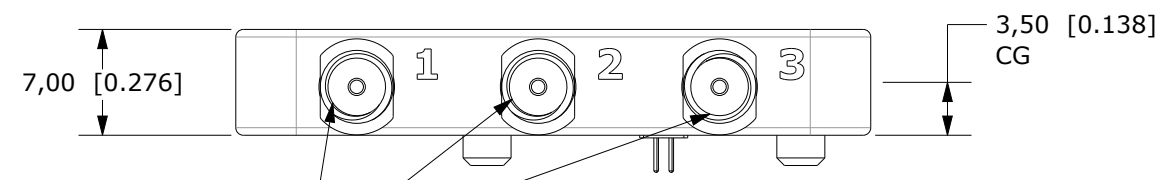
**INTELLECTUAL PROPERTY STATEMENT**  
 This drawing contains information that is the property of Diversified Technical Systems, Inc. (DTS). All copyright, patent, and ownership rights are retained. This information shall not be disclosed, reproduced in whole or in part, or used for manufacture without prior written consent from DTS.

**RoHS**  
 Manufacture/fabricate to meet the EU RoHS Directive 2011/65/EU and RoHS Annex II phthalates

REV	ZONE	DESCRIPTION	DATE	BY
0		ORIGINAL RELEASE	2020-02-04	JC

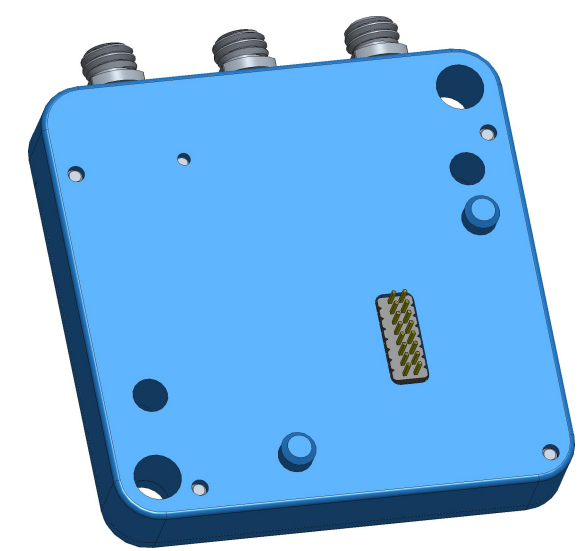


(2X)  $\varnothing$  4,30 [0.169]  
 MOUNTING THRU HOLES FOR:  
 6-32 (LOOSE FIT) M4 (FREE FIT) 8-32 (TIGHT FIT)



(3X) 10-32 COAXIAL CONNECTORS  
 (MICRODOT-COMPATIBLE)

MM [INCH]  
 ALL DIMENSIONS  $\pm$  0.13 [.005]  
 CENTER OF GRAVITY  $\pm$  2 [.079]  
 WEIGHT: 28 GRAMS  $\pm$  2 GRAMS



SCALE 1.5:1



SEAL BEACH, CA 90740 562-493-0158 www.dtsweb.com	DESCRIPTION: <b>SLICE MICRO IEPE, MOUNTING DIMENSIONS</b>			
	MATERIAL: <b>6061-T6 ALUMINUM W/ BLUE ANODIZE</b>		DTS P/N: <b>13000-10030</b>	
UNLESS OTHERWISE SPECIFIED:		DRAWN: <b>J CASEY</b>		REV: <b>0</b>
UNITS = MM [INCH] DIMENSIONAL TOLERANCES $\pm$ .254 [0.010"] INTERPRET PER ASME Y14.5. DO NOT SCALE.		DATE: 2020-02-04	SIZE: <b>B</b>	SCALE: <b>1:1</b>
		SHEET: <b>1 OF 1</b>		