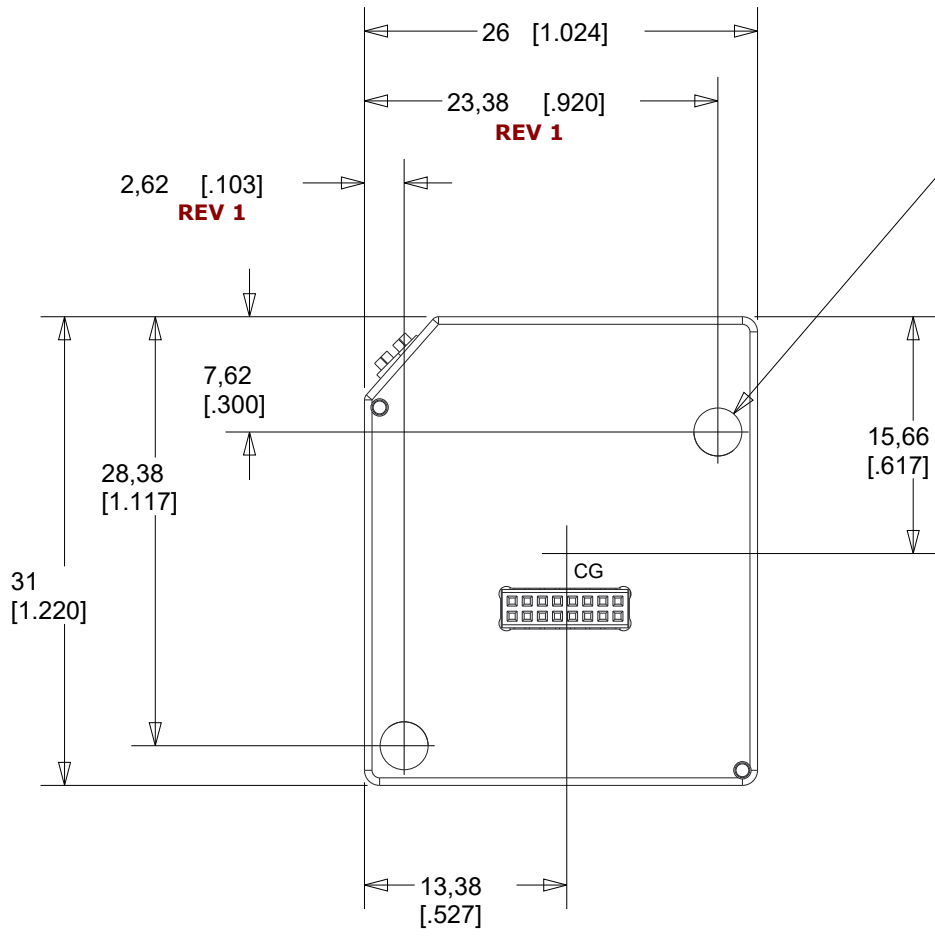
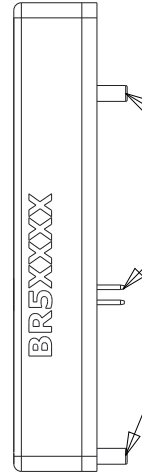


REVISIONS			
REV	DESCRIPTION	DATE	APPR
1	FIXED DIMENSIONS NOTED	3/24/2017	GN

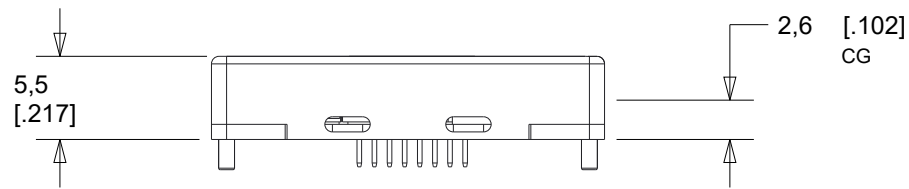
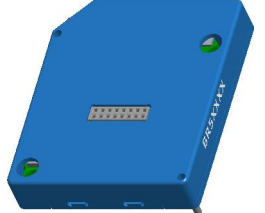
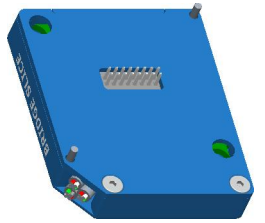


Ø 3,18 [.125]
(x2)


MOUNTING THRU HOLES FOR:
M2.5 (LOOSE FIT) 4-40 (FREE FIT) M3 (TIGHT FIT)



ALIGNMENT PINS & CONNECTOR
TO PLUG INTO OTHER NANOS



MM [INCH]
ALL DIMENSIONS ± 0.13 [.005]
CENTER OF GRAVITY ± 1 [.039]
WEIGHT: 10 GRAMS ± 1 GRAMS

UNLESS OTHERWISE SPECIFIED DIMENSION ARE IN MM TOLERANCES ARE: DECIMALS: ANGLES: X ± .25 ± .5° .XX ± .1		 909 ELECTRIC AVE, SUITE 206 SEAL BEACH, CA 90740 562-493-0158	
DO NOT SCALE DRAWING		NAME/DESC: SLICE NANO BRIDGE, MOUNTING DIMENSIONS	
MATERIAL: 6061-T651 ALUMINUM CASE	DRAWING NO: SLICE-M2D-1483	REV: 1	
DRAWN BY: G NEWTON 2-17-10	SIZE: A	SCALE: 2:1	SHEET: 1 OF 1