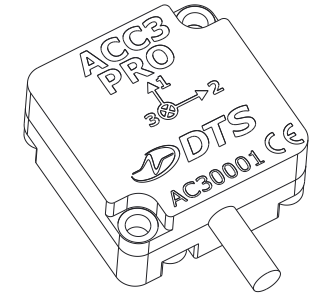
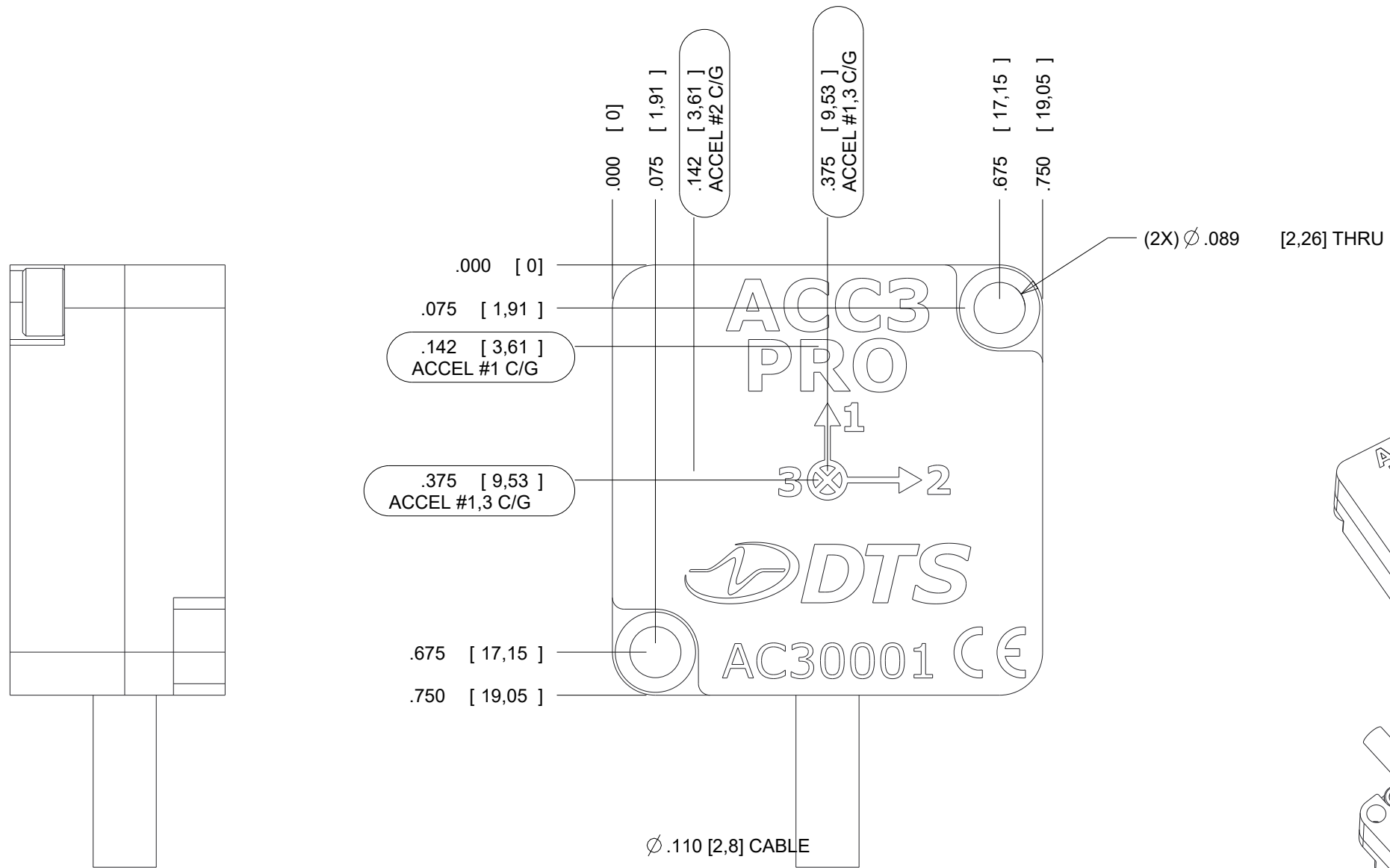
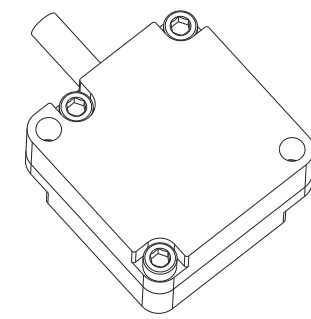


INTELLECTUAL PROPERTY STATEMENT
 This drawing contains information that is the property of Diversified Technical Systems, Inc. (DTS). All copyright, patent, and ownership rights are retained. This information shall not be disclosed, reproduced in whole or in part, or used for manufacture without prior written consent from DTS.

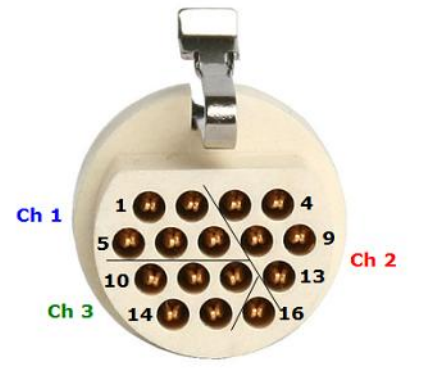
REV	ZONE	DESCRIPTION	DATE	BY
1		ADDED INFO ON DIFFERENTIATING -EX WIRES	2017-02-17	EK
2		UPDATED DRAWING FORMAT	2017-08-15	GN



SCALE 1.500

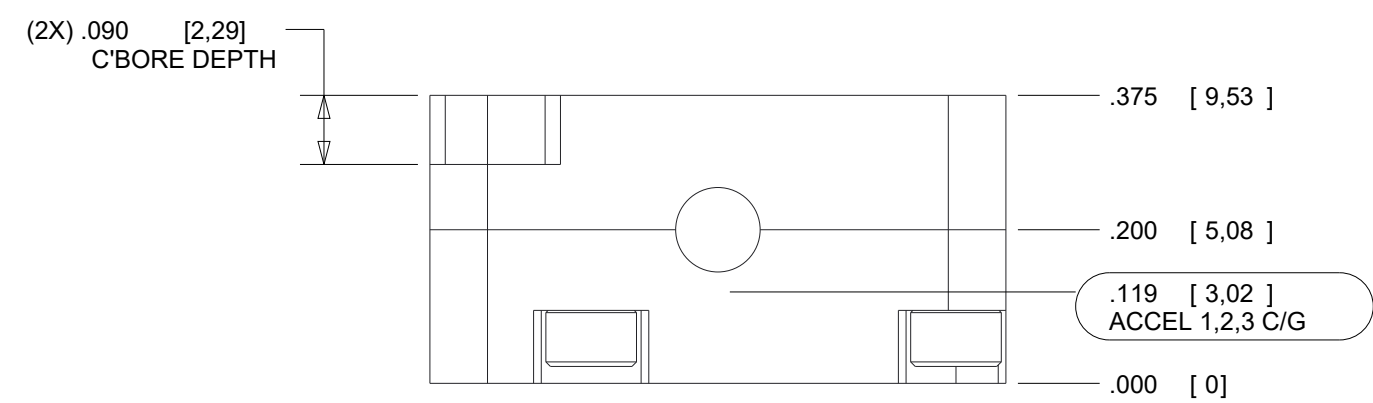


WIRE COLOR & PIN ASSIGNMENTS



AXIS	FUNCTION	COLOR	PIN
1	+EXCITATION	RED	6
	-EXCITATION*	BLACK (1)	7
	+SIGNAL	GREEN	1
	-SIGNAL	WHITE	5
	+ID		2
2	+EXCITATION	BROWN	8
	-EXCITATION*	BLACK (2)	13
	+SIGNAL	BLUE	4
	-SIGNAL	YELLOW	3
	+ID		9
3	+EXCITATION	ORANGE	11
	-EXCITATION*	BLACK (3)	12
	+SIGNAL	GRAY	10
	-SIGNAL	PURPLE	14
	+ID		15
ALL	-ID / SHIELD	SHIELD	16

* RESISTANCE BETWEEN +SIG AND -EX IS <5K OHM FOR EACH CHANNEL. USE A DMM TO TEST THE BLACK WIRES (-EX) WITH THE COLOR-CODED +SIG WIRES TO FIND THE CORRECT PAIRING.



NOTES:
 -MASS C/G OF ACC3 PRO IS CENTER OF VOLUME
 -MOUNT USING 2-56 x 7/16" OR M2 x 11MM SCREWS
 -TORQUE TO 2.5 IN-LB CLEAN AND DRY

SEAL BEACH, CA 90740 562-493-0158 www.dtsweb.com	DESCRIPTION: ACC3 PRO, MOUNTING DRAWING	
	MATERIAL: 6061-T6 ALUMINUM W/ BLUE ANODIZE	DTS P/N:
UNLESS OTHERWISE SPECIFIED:	DRAWN: J CASEY	
UNITS = MM [INCH] DIMENSIONAL TOLERANCES ±.254 [0.010"] INTERPRET PER ASME Y14.5. DO NOT SCALE.	DATE: 2014-02-13	SIZE: B SCALE: 4:1 SHEET: 1 OF 1