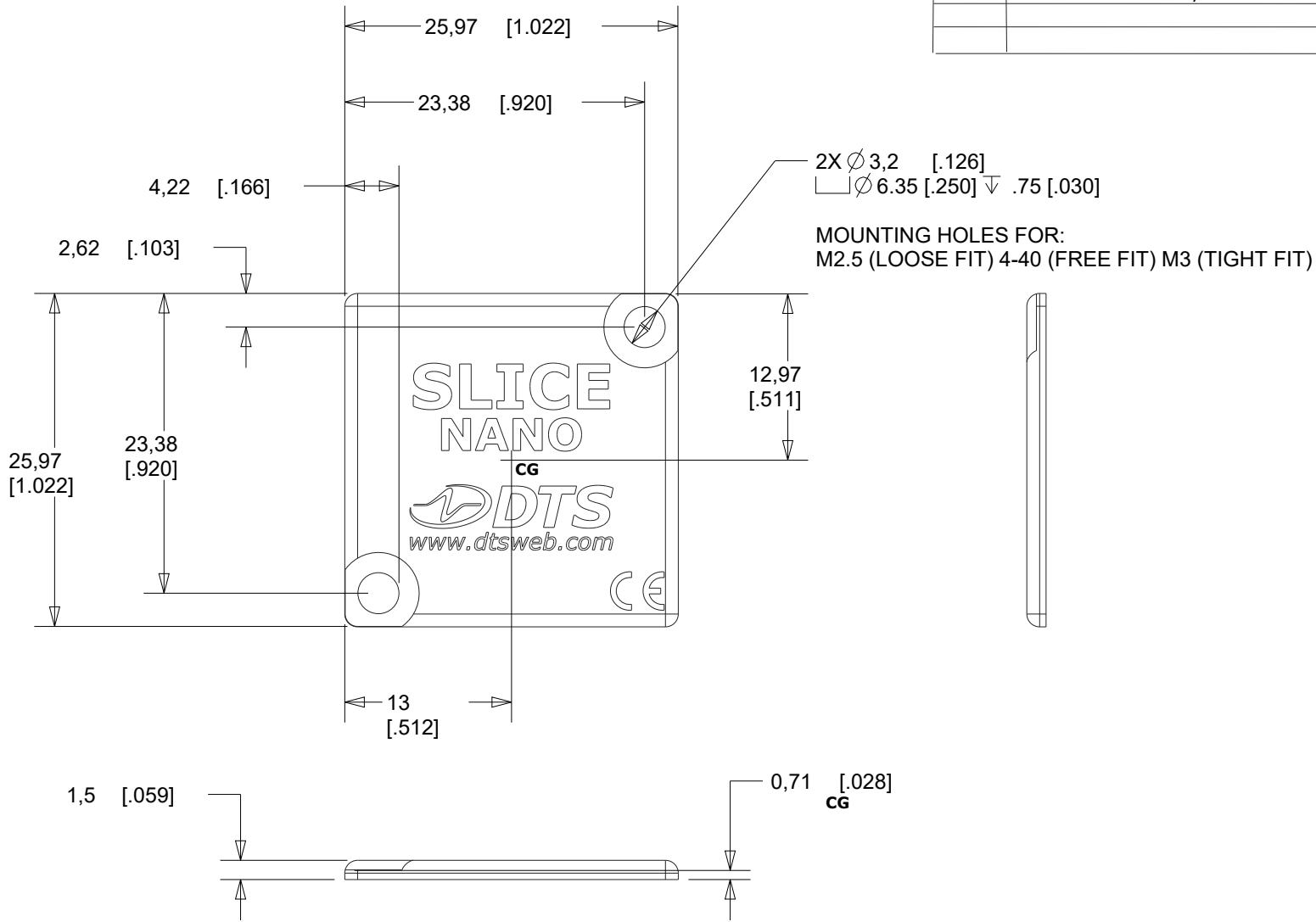



REVISIONS			
REV	DESCRIPTION	DATE	APPR
1	NO DIM CHANGE, UPDATED ARTWORK	8/24/16	GN



MM [INCH]  
ALL DIMENSIONS  $\pm$  0.13 [.005]  
CENTER OF GRAVITY  $\pm$  0.5 [.020]  
WEIGHT: 2.6 GRAMS  $\pm$  0.5 GRAMS

UNLESS OTHERWISE SPECIFIED DIMENSION ARE IN MM TOLERANCES ARE: DECIMALS: ANGLES: X $\pm$ .25 $\pm$ .5° .XX $\pm$ .1		 909 ELECTRIC AVE, SUITE 206 SEAL BEACH, CA 90740 562-493-0158	
DO NOT SCALE DRAWING		NAME/DESC: SLICE NANO LID, MOUNTING DIMENSIONS	
MATERIAL: 6061-T651 ALUMINUM CASE	DRAWING NO: SLICE-M2D-1484	REV: 1	
DRAWN BY: G NEWTON 2-17-10	SIZE: A	SCALE: 2:1	SHEET 1 OF 1