

8

7

6

5

4

3

2

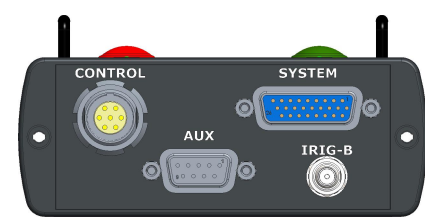
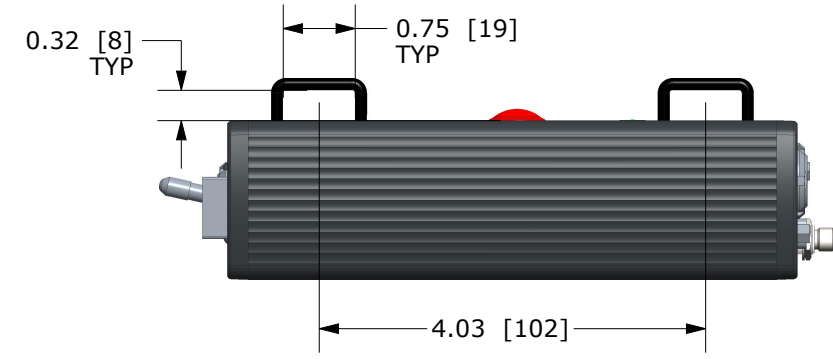
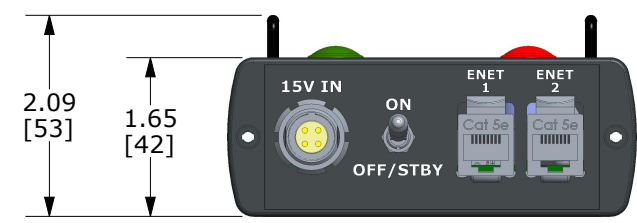
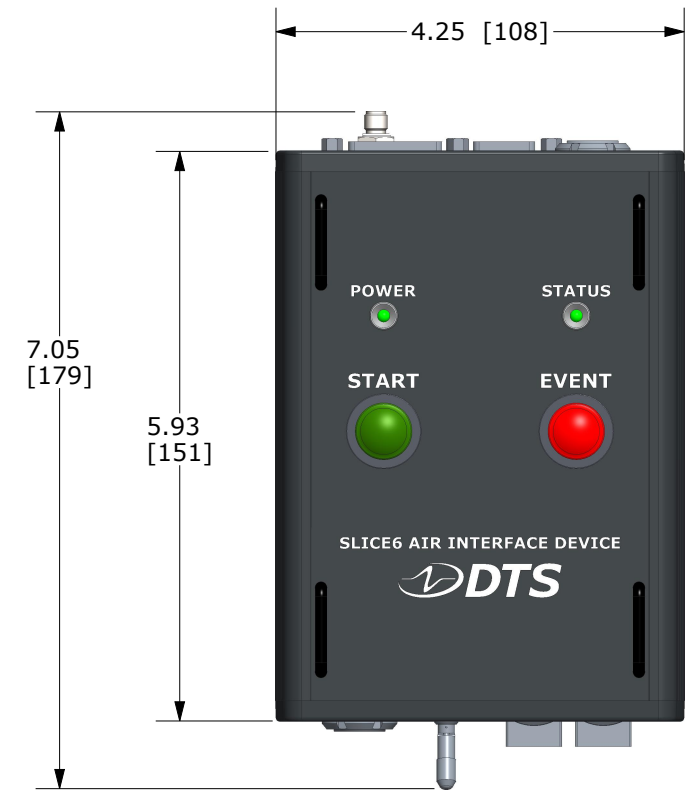
1

INTELLECTUAL PROPERTY STATEMENT

This drawing contains information that is the property of Diversified Technical Systems, Inc. (DTS). All copyright, patent, and ownership rights are retained. This information shall not be disclosed, reproduced in whole or in part, or used for manufacture without prior written consent from DTS.

RoHS
Manufacture/fabricate to meet the EU RoHS Directive 2011/65/EU and RoHS Annex II phthalates

REV	ZONE	DESCRIPTION	DATE	BY
0		ORIGINAL RELEASE	2019-08-08	JC



WEIGHT: 1.09 LBS (494 GRAMS)

DTS SEAL BEACH, CA 90740
562-493-0158
www.dtsweb.com

MATERIAL:
CUSTOMIZED EXTRUDED ENCLOSURE
W/BLACK POWDER COAT

UNLESS OTHERWISE SPECIFIED:
DIMENSIONAL TOLERANCES ±.254 [0.010"]
INTERPRET PER ASME Y14.5. DO NOT SCALE.

DESCRIPTION: DTS, SLICE6 AIR, INTERFACE DEVICE			
DTS P/N: 13006-90480	REV: 0		
DRAWN: J CASEY	DATE: 2018-08-08	SIZE: B	SCALE: 1:1
SHEET: 1 OF 1			