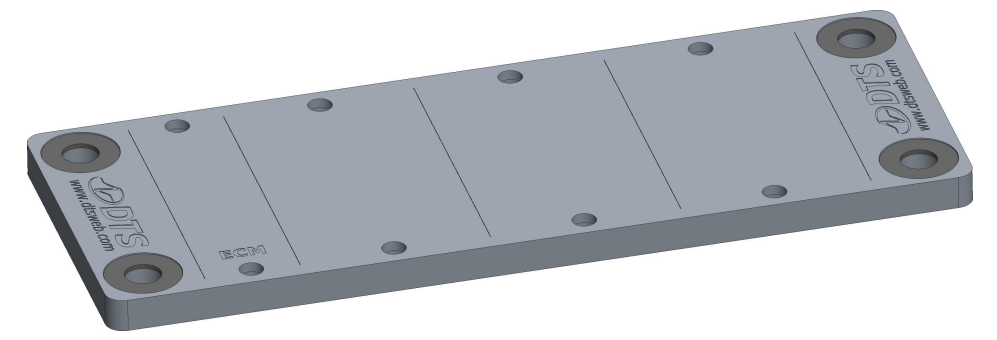
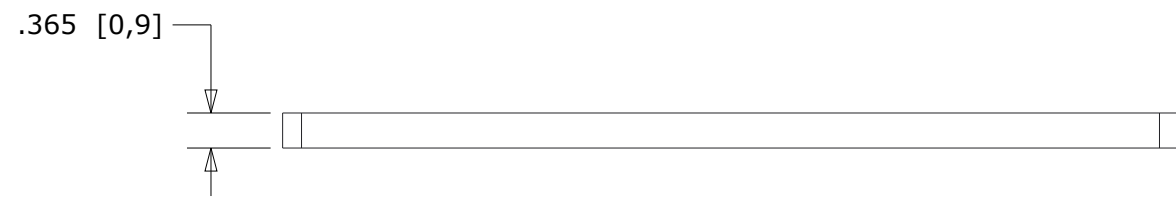
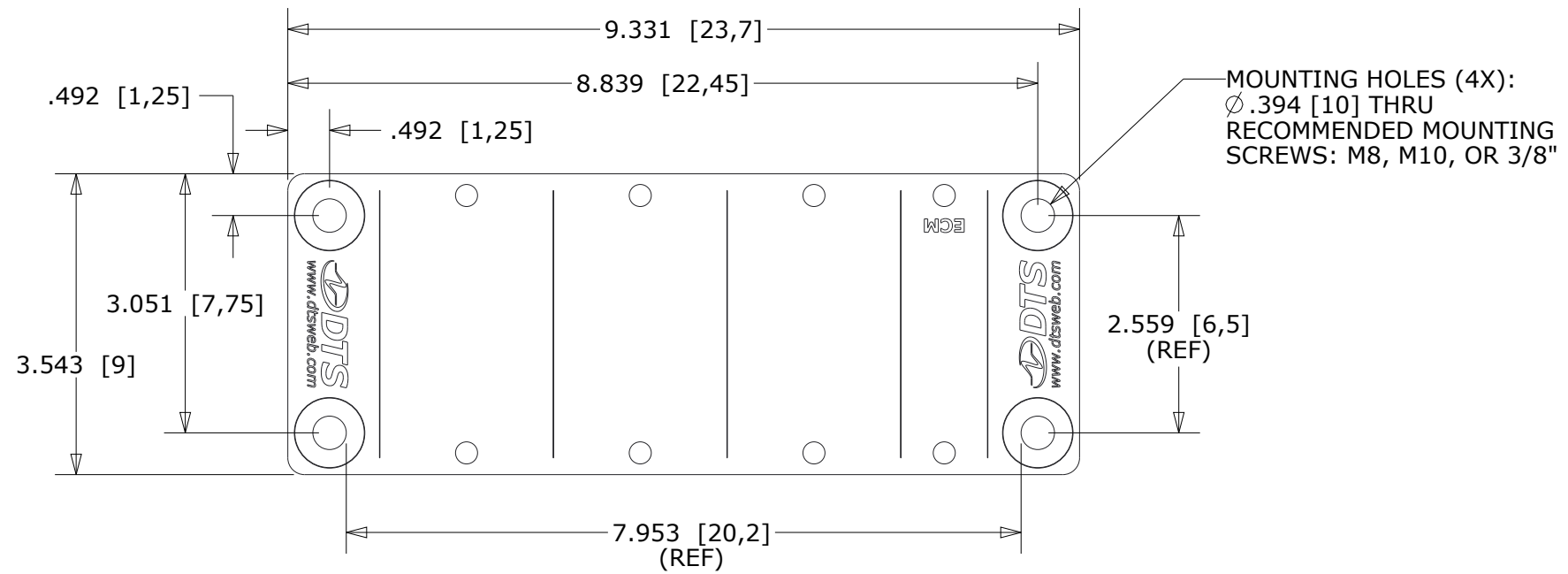
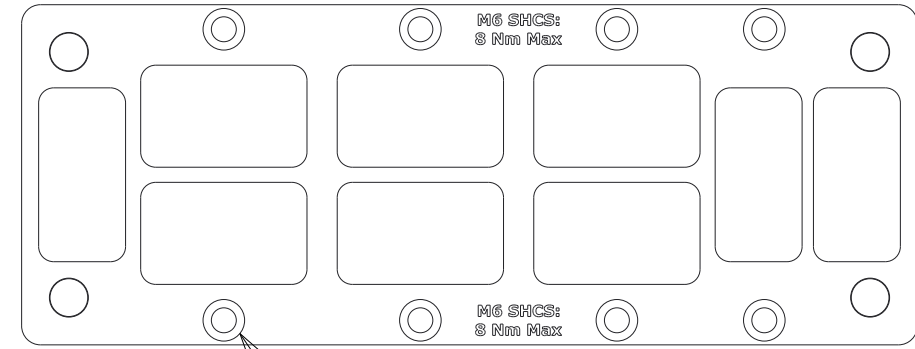


REVISIONS			
REV	DESCRIPTION	DATE	APPR
0	ORIGINAL RELEASE	10/17/16	JC



**WEIGHT: .88 LB.
14.1 OZ.
400 GRAMS**



COUNTERBORES FOR MOUNTING SLICE PRO MODULES. USE STAINLESS STEEL SHCS, M6 X 1.0, 12 MM LENGTH. TIGHTEN SHCS TO 8 Nm MAX.

SHIPS WITH STAINLESS STEEL WASHERS EMBEDDED IN THE MOUNTING HOLE LOCATIONS

UNLESS OTHERWISE SPECIFIED DIMENSION ARE IN INCHES TOLERANCES ARE: FRACTIONS: DECIMALS: ANGLES: MACHINED: ± 1/64 .X ± .1 ± .5° 125 .XX ± .01 .XXX ± .002 DO NOT SCALE DRAWING		909 ELECTRIC AVE, SUITE 206 SEAL BEACH, CA 90740 562-493-0158 NAME/DESC: SLICE PRO BASIC MOUNTING RACK-4 PIECE (ETHERNET)	
MATERIAL: 6061-T651 ALUMINUM	DRAWING NO: 13000-40710-TCN	REV: 0	
DRAWN BY: J CASEY 10/17/16	SIZE: B	SCALE: 1:2	SHEET: 1 OF 1