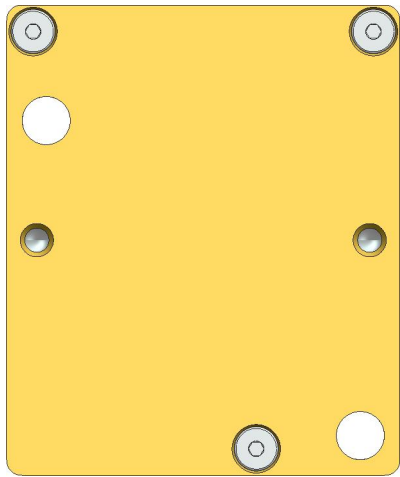
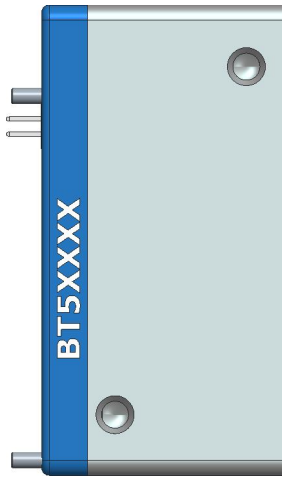
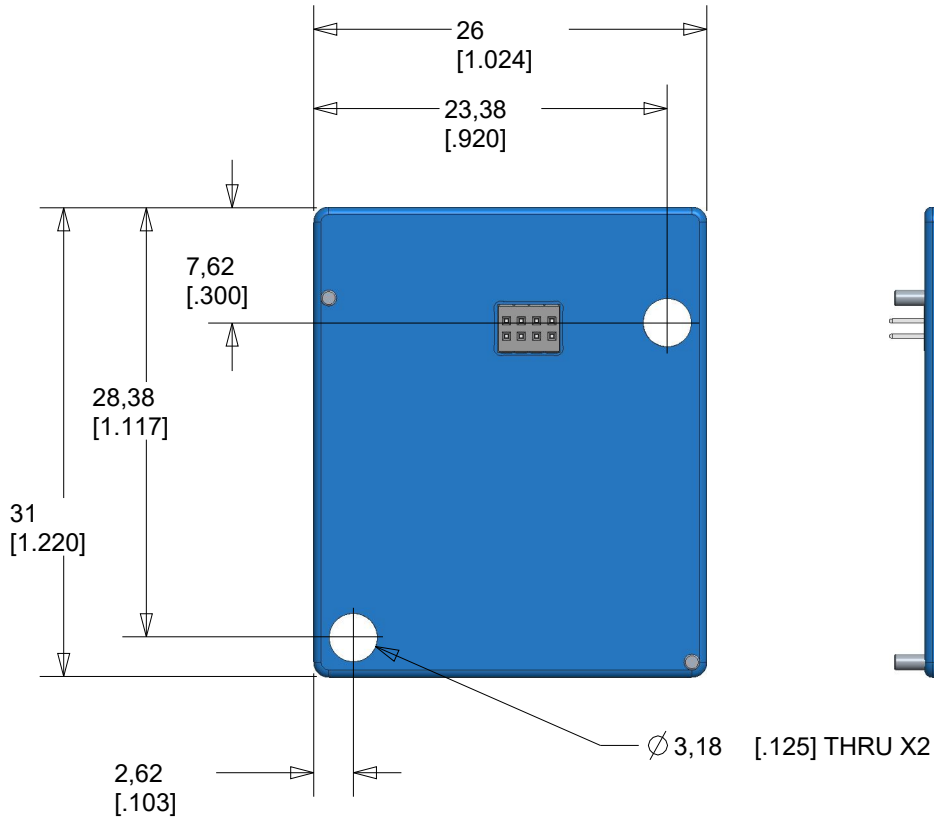


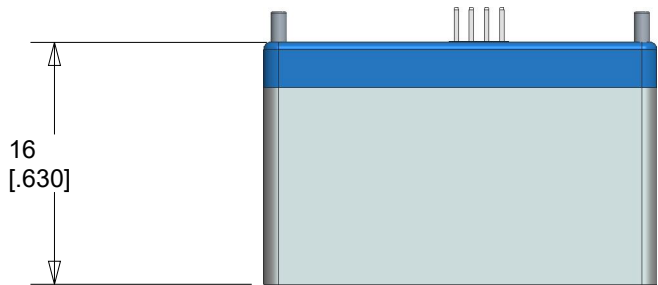
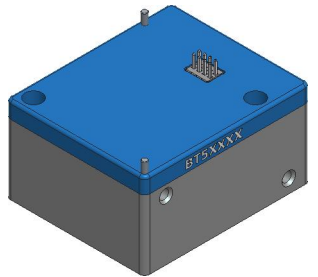
REVISIONS			
REV	DESCRIPTION	DATE	APPR




NOTES:

ALL DIMENSIONS ± .508 [0.020]

WEIGHT: 20 GRAMS ± 5 GRAMS



UNLESS OTHERWISE SPECIFIED DIMENSION ARE IN MM TOLERANCES ARE: DECIMALS: ANGLES: X ± .25 ± .5° .XX ± .1	 909 ELECTRIC AVE, SUITE 206 SEAL BEACH, CA 90740 562-493-0158		
	NAME/DESC: SLICE NANO EXT. BATTERY		
DO NOT SCALE DRAWING	DRAWING NO:	REV: 0	
MATERIAL: N/A	DRAWN BY: G NEWTON 2-22-17	SIZE: A	SCALE: SHEET 2:1 1 OF 1