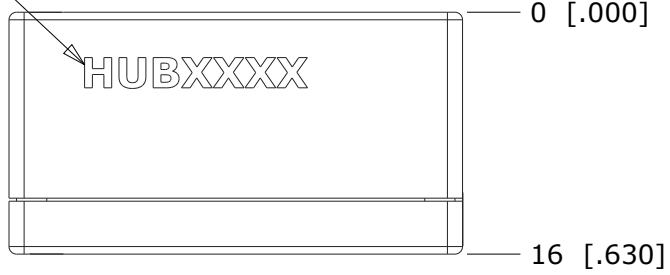


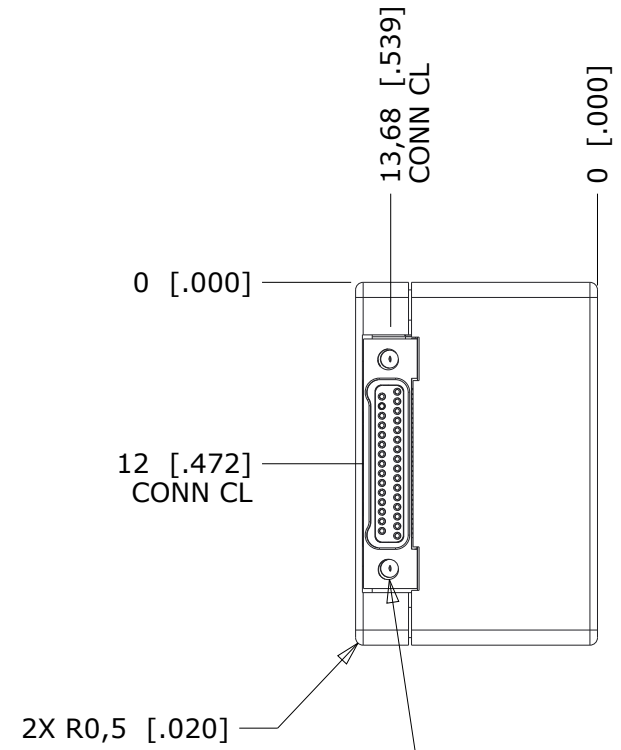
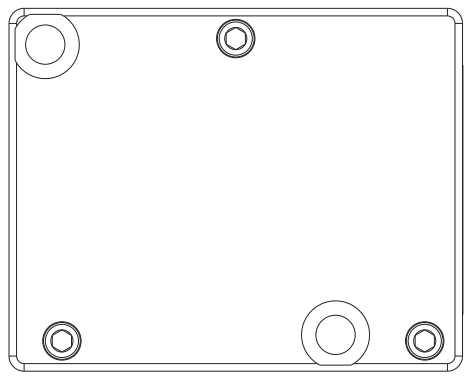
INTELLECTUAL PROPERTY STATEMENT
 This drawing contains information that is the property of Diversified Technical Systems, Inc. (DTS). All copyright, patent, and ownership rights are retained. This information shall not be disclosed, reproduced in whole or in part, or used for manufacture without prior written consent from DTS.

REV	ZONE	DESCRIPTION	DATE	BY
2		P/N, DRAWING FORMAT	2017-08-28	GN

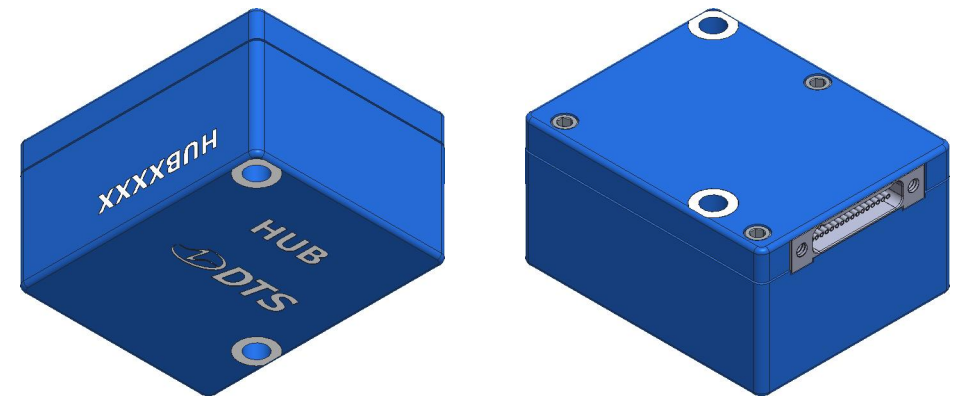
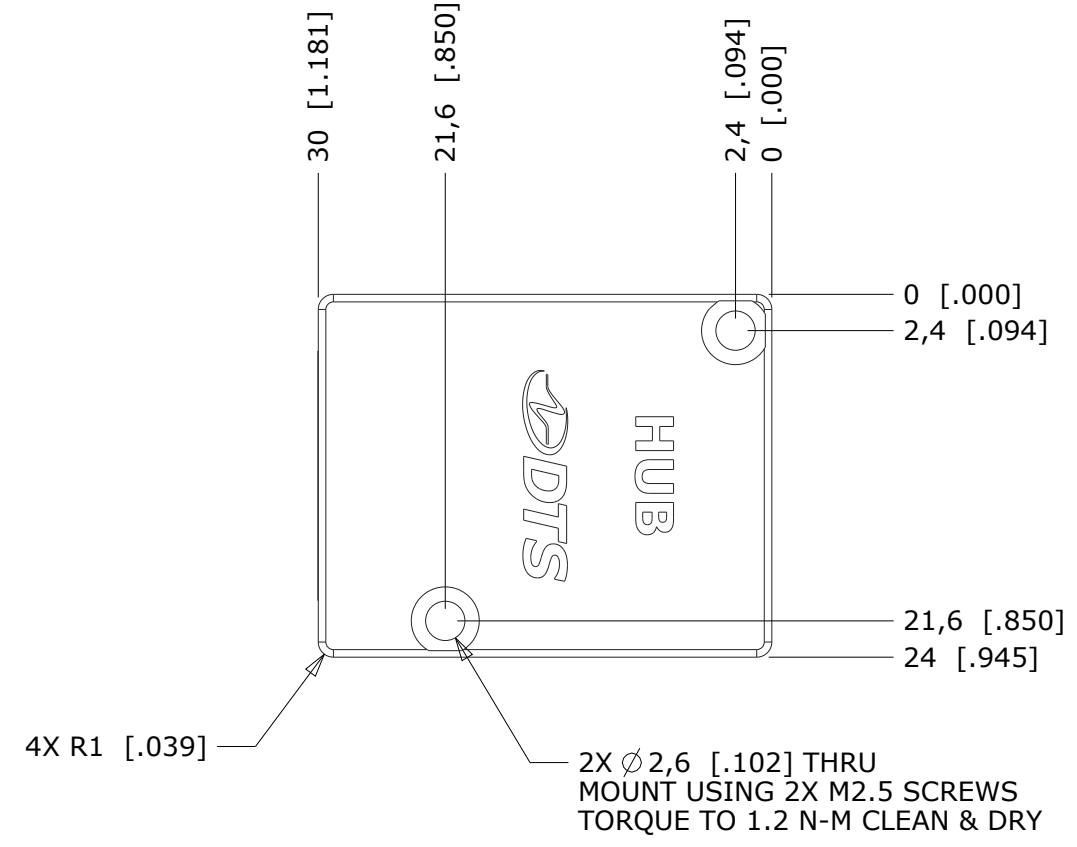
SERIAL NUMBER
 PREFIX: HUB



- NOTES:**
1. MASS: 16 GRAMS \pm 2 GRAMS
 2. HUB CHAIN CONNECTOR: OMNETICS P/N A29100-031 (MNSO-31-AA-N-ETH-M)
 3. MOUNTING LOCATION AND HOLES SHALL BE ELECTRICALLY CONDUCTIVE AND GROUNDED



NOTE: CONNECTOR FLUSH WITH EDGE OF ENCLOSURE



SEAL BEACH, CA 90740 562-493-0158 www.dtsweb.com	DESCRIPTION:		SLICE6 HUB, MOUNTING DRAWING	
	MATERIAL:	6061-T6 ALUMINUM HOUSING W/ BLUE ANODIZE		REV:
UNLESS OTHERWISE SPECIFIED:		DRAWN:	G NEWTON	
UNITS = MM [INCH]	DATE:	SIZE:	SCALE:	SHEET:
DIMENSIONAL TOLERANCES \pm .254 [0.010"]	2016-09-20	B	2:1	1 OF 1
INTERPRET PER ASME Y14.5. DO NOT SCALE.				