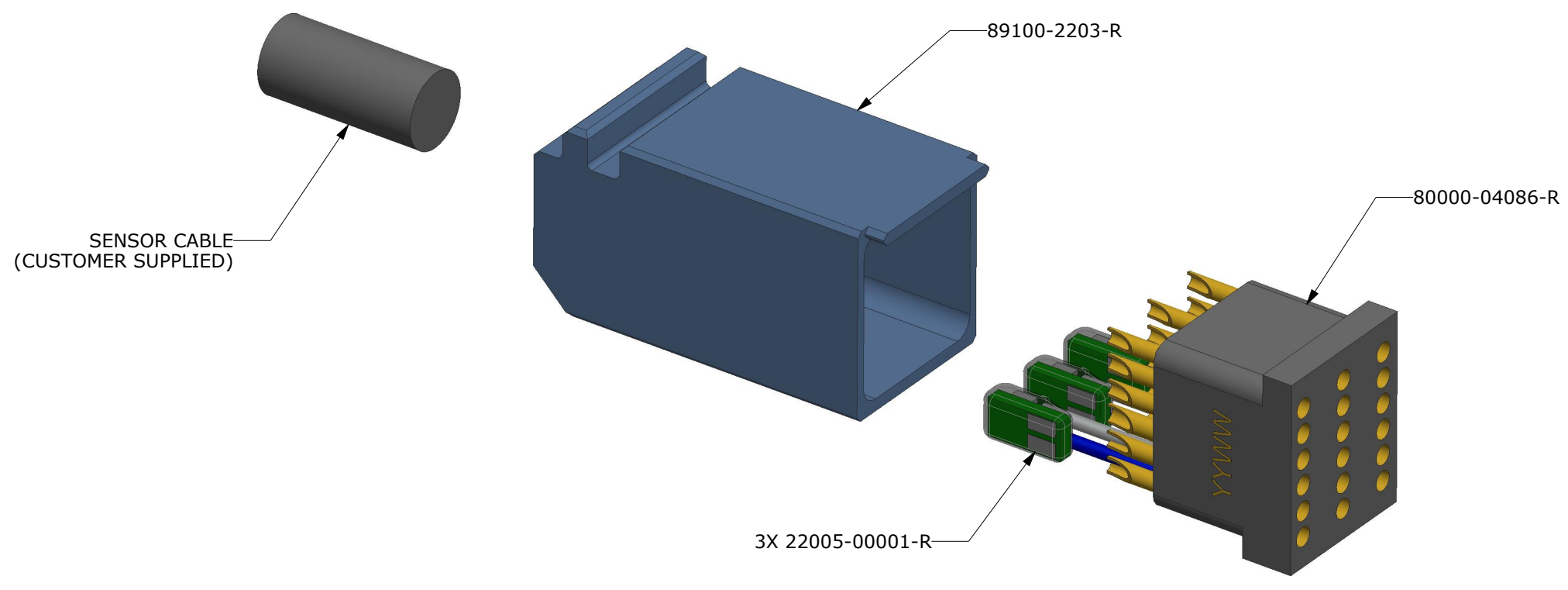
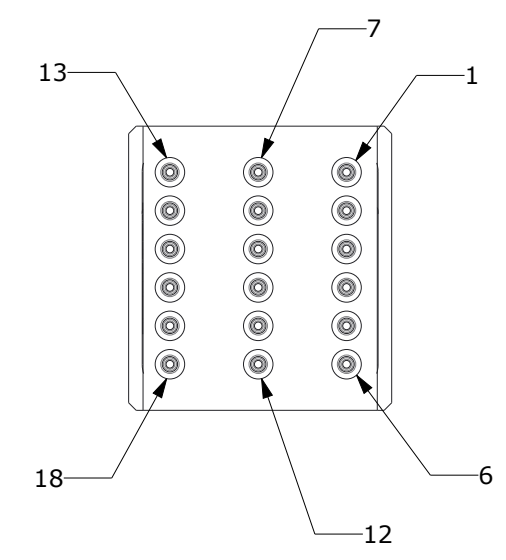
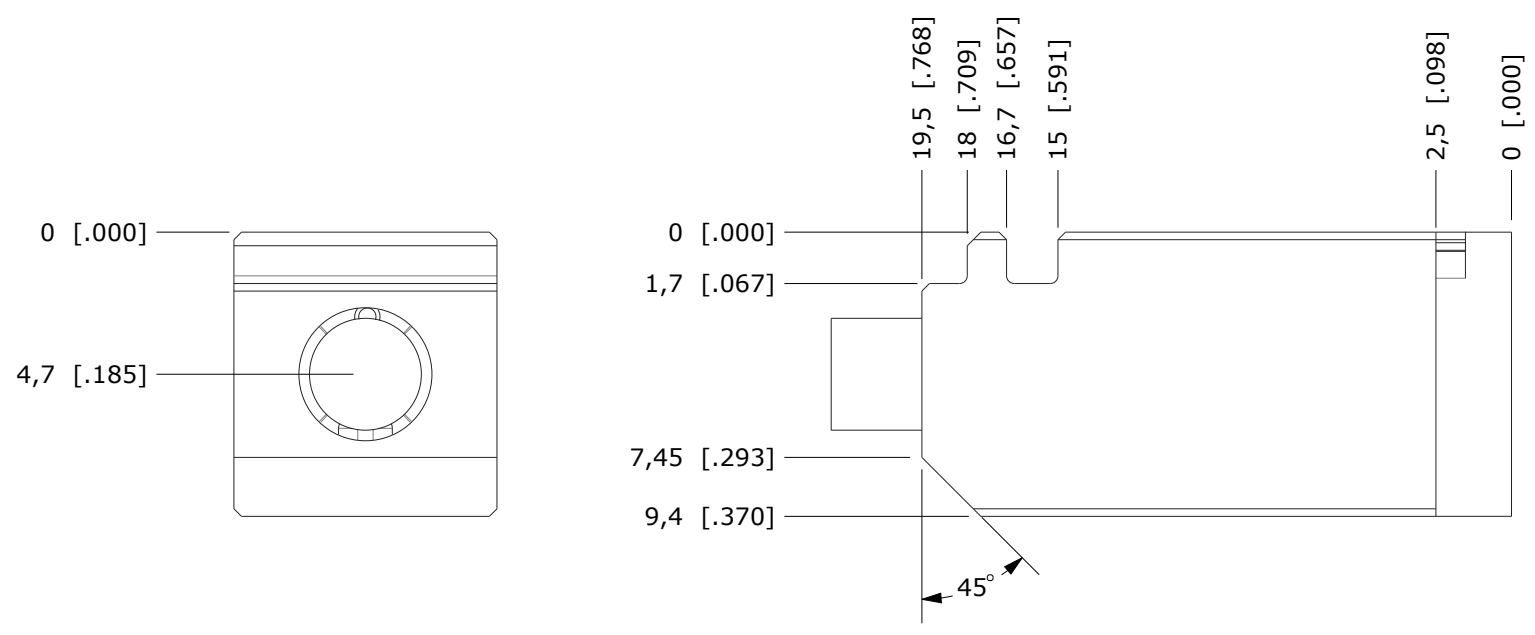
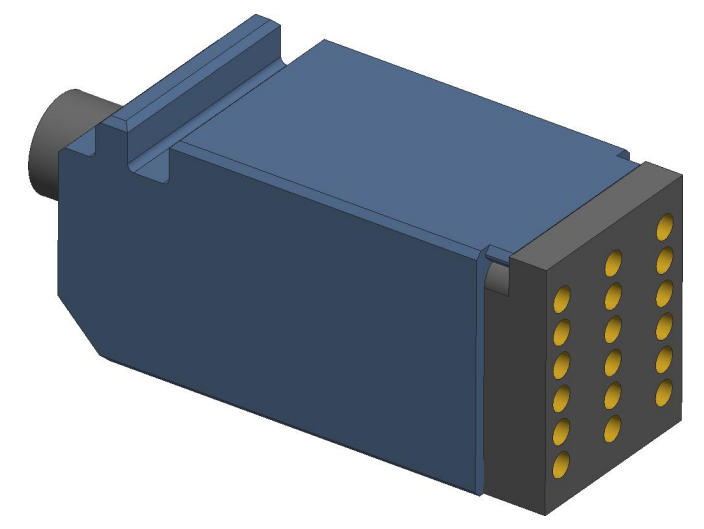
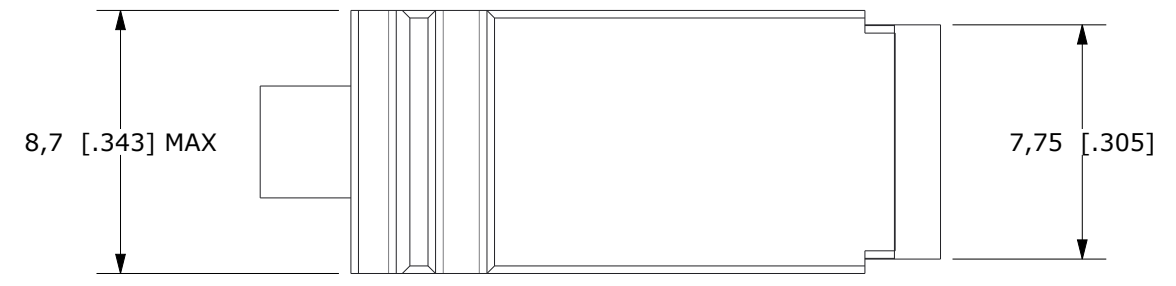


INTELLECTUAL PROPERTY STATEMENT
 This drawing contains information that is the property of Diversified Technical Systems, Inc. (DTS). All copyright, patent, and ownership rights are retained. This information shall not be disclosed, reproduced in whole or in part, or used for manufacture without prior written consent from DTS.

REV	ZONE	DESCRIPTION	DATE	BY
0		ORIGINAL RELEASE	2017-11-22	GN



SEAL BEACH, CA 90740 562-493-0158 www.dtsweb.com		DESCRIPTION: SLICE6 SENSOR CONNECTOR, 3-CH MOUNTING DRAWING	
MATERIAL: N/A		DTS P/N: 13006-90090	REV: 0
UNLESS OTHERWISE SPECIFIED:		DRAWN: G NEWTON	SHEET: 1 OF 1
UNITS = MM [INCH] DIMENSIONAL TOLERANCES ±.254 [0.010"] INTERPRET PER ASME Y14.5. DO NOT SCALE.		DATE: 2017-11-22	SCALE: 4:1